



PARTS CATALOGUE

YAMAHA MULTI-PURPOSE ENGINE

MZ300 (7WR1/2/7/B/C,7WS1/B) OTHER

MZ300R (7WRF,7WSF) OTHER

MZ360 (7WT1/3/B/C,7WU1/B/C) OTHER

MZ360R (7WTF,7WUF) OTHER

MZ300/MZ300R/MZ360/MZ360R
PARTS CATALOGUE

©2001 by Yamaha Motor Co., Ltd.

1st Edition, Nov. 2001

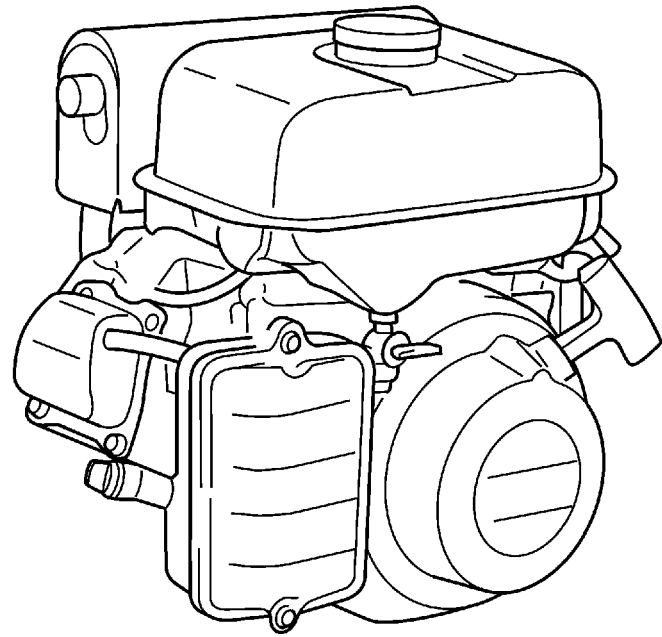
All rights reserved.

Any reprinting or unauthorized use
without the written permission of

Yamaha Motor Co., Ltd.

is expressly prohibited.

Printed in Japan



FOREWORD

This Parts Catalogue is related to the parts for the model(s) in the below frame. When you are ordering replacement parts, please refer to this Parts Catalogue and quote both part numbers and part names correctly.

1. Modifications or additions which have been made after issue of the Parts Catalogue will be announced in the Yamaha Parts News.
It is advisable that you make necessary corrections to the Parts Catalogue according to the Yamaha Parts News.

2. Abbreviations

The following abbreviations are used in this Parts Catalogue.

“UR” Use specified parts number.

“UN” Use as many as needed.

“AP” Alternate Parts

“LM” Local Made (Parts need to be ordered locally)

“F#” Frame No. (Applicable machine No.)

3. Parts, which are to be supplied in an assembly, are listed with a dot(.) in front of the part name as shown below.

EXAMPLE

CARBURETOR ASSY

.JET, PILOT

.NOZZLE, MAIN

4. Number of component for assembly

The numeral appearing to the right of each component part indicates the quantity of parts for each assembly unit.

EXAMPLE

| PART NO. | DESCRIPTION | Q'TY | REMARKS |
|--------------|--------------------------|------|---------|
| 2F5-83310-60 | FRONT FLASHER LIGHT ASSY | 2 | |
| 115-83311-60 | .BULB (6V-18W) | 1 | |

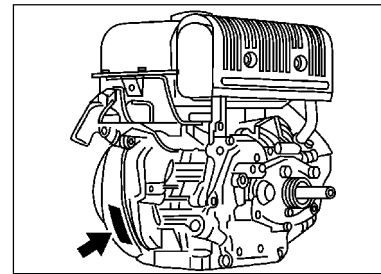
5. Applicable colors of graphics are represented in the REMARKS as shown below.

| PART NO. | DESCRIPTION | Q'TY | REMARKS |
|-----------------|-----------------|------|---------|
| 7UH-24110-00-98 | FUEL TANK COMP. | 1 | LGB |
| 7T9-24610-00 | CAP ASSY | 1 | |

6. Applicable Serial No. and Color Code

See the Serial No list on next page.

Engine Serial No.



| Color Code | Color Name | Abbreviation |
|------------|--------------|--------------|
| 00NJ | FARAWAY BLUE | FWB |

7. Note that the illustrations for reference in finding parts numbers, not be used for assembling. When assembling, please use the applicable service manual.

Applicable Serial No.

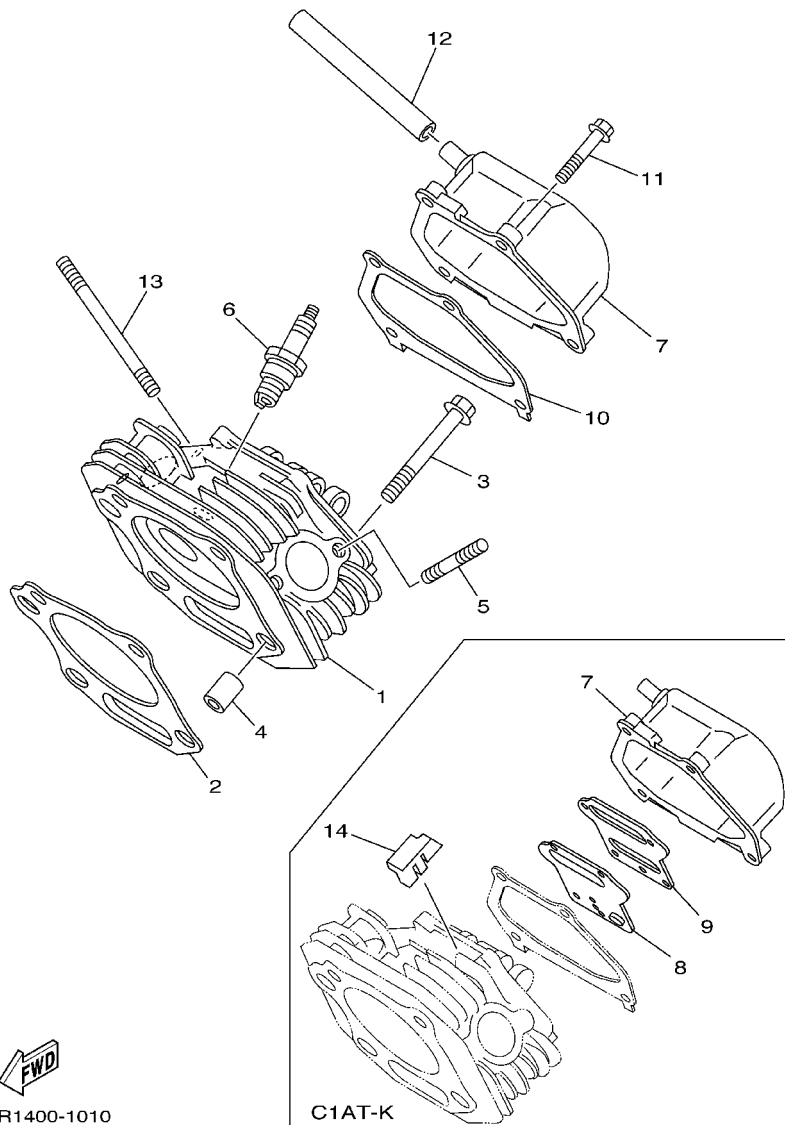
*indicates what items apply to the model.

| MODEL NAME (ABBREVIATION) | MODEL TYPE | MODEL CODE | FRAME SERIAL No. | PTO | MTG.FACE | | OIL WARNING | AIR CLEANER | | | STOP SWITCH | STARTING MOTOR | LIGHTING COIL |
|------------------------------|-------------|-------------|------------------|-----|----------|-----|----------------|-------------|-------------|--------------|-------------|-------------------|---------------|
| | | | | | M8 | UNF | | SEMI-DRY | SILENT-DUAL | SEMI-CYCLONE | | | |
| MZ300 | A1 | 7WR1 | 7WR-0100101 | A | | * | | * | | | * | | |
| | A1B | | 7WR-0120101 | | | * | | * | | | * | | |
| | A1C | | 7WR-0140101 | | | * | | * | | * | | * | |
| | A2B | | 7WR-0160101 | | | * | * | * | | * | | * | |
| | A2C | | 7WR-0180101 | | | * | * | * | | * | | * | |
| | B1B | 7WR2 | 7WR-0200101 | B | * | | | | * | | * | | |
| | B1BK | | 7WR-0220101 | | * | | | | * | | * | | * |
| | B1AT-VNM | | 7WR-0240101 | | * | | | | * | | * | | |
| | G2 | 7WR7 | 7WR-0700101 | G | * | | * | * | | | * | | |
| | K4-60 | 7WRB | 7WR-1200101 | K | | * | * | * | | | * | | |
| | K4 | | 7WR-1220101 | | | * | * | * | | | * | | |
| | L1 | 7WRC | 7WR-1300101 | L | * | | * | * | | | * | | |
| | A3B | 7WS1 | 7WS-0100101 | A | | * | * | | * | | * | * | |
| K2 | 7WSB | 7WS-1200101 | K | | * | * | * | | | * | * | | |
| MZ300R | Br1 | 7WRF | 7WR-1600101 | Br | * | | | * | | | * | | |
| | Br2B | | 7WR-1620101 | | * | | * | * | | * | | * | |
| | Br3B | 7WSF | 7WS-1600101 | Br | * | | * | * | * | | * | * | |
| MZ360 | A1 | 7WT1 | 7WT-0100101 | A | | * | | * | | | * | | |
| | A1B | | 7WT-0120101 | | | * | | * | | * | | * | |
| | A1C | | 7WT-0140101 | | | * | | * | | * | | * | |
| | A2B | | 7WT-0160101 | | | * | * | * | | * | | * | |
| | A2C | | 7WT-0180101 | | | * | * | * | | * | | * | |
| | C1B | 7WT3 | 7WT-0300101 | C | * | | | | * | | * | | |
| | C1AT-K | | 7WT-0320101 | | * | | | | * | | * | | |
| | C1AT-VNM | | 7WT-0340101 | | * | | | | * | | * | | |
| | K5-60 | 7WTB | 7WT-1220101 | K | | * | * | * | | | * | | |
| | K5 | | 7WT-1200101 | | | * | * | * | | | * | | |
| | L1 | 7WTC | 7WT-1300101 | L | * | | * | * | | | * | | |
| | A3B | 7WU1 | 7WU-0100101 | A | | * | * | | * | | * | * | |
| | K6-60 | 7WUB | 7WU-1200101 | K | | * | * | * | | | * | * | |
| K6 | 7WU-1220101 | | | | * | * | * | | | * | * | | |
| L3 | 7WUC | | 7WU-1300101 | | L | * | | * | * | | | * | * |
| MZ360R | Br1 | 7WTF | 7WT-1600101 | Br | * | | | * | | | * | | |
| | Br1C | | 7WT-1620101 | | * | | | | * | | * | | |
| | Br2B | | 7WT-1640101 | | * | | * | * | | * | | * | |
| | Br3B | 7WUF | 7WU-1600101 | Br | * | | * | * | * | | * | * | |

CONTENTS

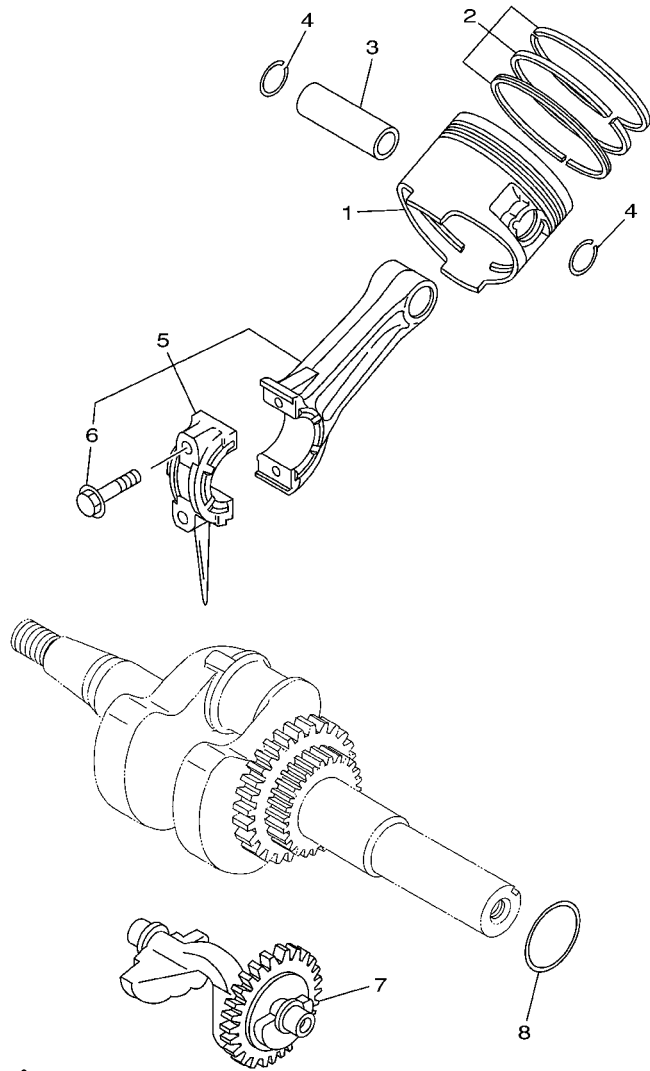
| | |
|--|----|
| CYLINDER | 1 |
| CRANKSHAFT | 2 |
| CRANKSHAFT. PISTON (MZ300/MZ360) | 3 |
| CRANKSHAFT. PISTON 2 (MZ300R/MZ360R) | 4 |
| GOVERNOR 1 | 5 |
| CAMSHAFT. VALVE | 7 |
| AIR SHROUD. STARTER | 8 |
| INTAKE 1 (SILENT SEMI-DRY/SILENT-DUAL) | 9 |
| INTAKE 2 (FOR SEMI-CYCLONE 1C,2C) | 10 |
| INTAKE 3 (FOR SEMI-CYCLONE B1AT-VNM,C1AT-K,C1AT-VNM) | 11 |
| CARBURETOR 1 (FOR SILENT SEMI-DRY) | 12 |
| CARBURETOR 2 (FOR SILENT-DUAL) | 13 |
| CARBURETOR 3 (FOR SEMI-CYCLONE EXCEPT FOR C1AT-K) | 14 |
| CARBURETOR 4 (FOR SEMI-CYCLONE C1AT-K) | 16 |
| EXHAUST | 17 |
| CRANKCASE COVER 1 (MZ300/MZ360) | 18 |
| CRANKCASE COVER 2 (MZ300R/MZ360R) | 19 |
| FUEL TANK (EXCEPT FOR B1AT-VNM,C1AT-K,C1AT-VNM) | 21 |
| FUEL TANK 2 (FOR B1AT-VNM,C1AT-VNM) | 22 |
| FUEL 3 (FOR C1AT-K) | 23 |
| MAGNETO | 25 |
| STARTING MOTOR (ELECTRIC START MODEL) | 26 |
| ELECTRICAL 1 (MANUAL START MODEL) | 27 |
| ELECTRICAL 2 (EL.START MODEL) | 28 |
| EMBLEM. LABEL | 29 |
| BODY FITTING | 30 |
| INDEX | |
| NUMERICAL INDEX | 31 |

FIG. 1 CYLINDER



| REF. NO. | PART NO. | DESCRIPTION | 300 | 300R | 360 | 360R | REMARKS |
|----------|--------------|--------------------------|-----|------|-----|------|------------------------|
| | | | | | | | |
| 1 | 7WE-11111-00 | HEAD, CYLINDER 1 | 1 | 1 | | | |
| | 7WG-11111-00 | HEAD, CYLINDER 1 | | | 1 | 1 | |
| | 7WE-11181-00 | GASKET, CYLINDER HEAD 1 | 1 | 1 | | | |
| 2 | 7WG-11181-00 | GASKET, CYLINDER HEAD 1 | | | 1 | 1 | |
| | 7WT-11181-00 | GASKET, CYLINDER HEAD 1 | | | 1 | | FOR C1AT-K |
| | 95817-10070 | BOLT, FLANGE | 4 | 4 | 4 | 4 | |
| 4 | 99530-14016 | PIN, DOWEL | 2 | 2 | 2 | 2 | |
| 5 | 95627-08618 | BOLT, STUD | 2 | 2 | 2 | 2 | |
| 6 | 94702-00331 | PLUG, SPARK (NGK BPR4ES) | 1 | 1 | 1 | 1 | |
| | 7WG-11190-00 | COVER, CYLINDER HEAD 1 | 1 | 1 | 1 | 1 | |
| | 7RH-11191-01 | COVER, CYLINDER HEAD 1 | | | 1 | | FOR C1AT-K |
| 8 | JN6-11168-00 | COVER, BREATHER | | | 1 | | FOR C1AT-K |
| 9 | 7RH-11169-00 | GASKET, BREATHER COVER | | | 1 | | FOR C1AT-K |
| 10 | JN6-11193-00 | GASKET, HEAD COVER 1 | 1 | 1 | 1 | 1 | |
| 11 | 95827-06030 | BOLT, FLANGE | 4 | 4 | 4 | 4 | |
| | 7RH-11166-00 | PIPE, BREATHER 1 | 1 | 1 | 1 | 1 | |
| | 7RK-11166-00 | PIPE, BREATHER 1 | 1 | | 1 | | FOR B1AT-VNM, C1AT-VNM |
| 13 | 95607-08700 | BOLT, STUD | 2 | 2 | 2 | 2 | |
| | 90116-08623 | BOLT, STUD | | | 2 | | FOR C1AT-K |
| 14 | 7RK-11355-00 | SEAL, CYLINDER 1 | | | 1 | | FOR C1AT-K |

FIG. 3 CRANKSHAFT. PISTON (MZ300/MZ360)

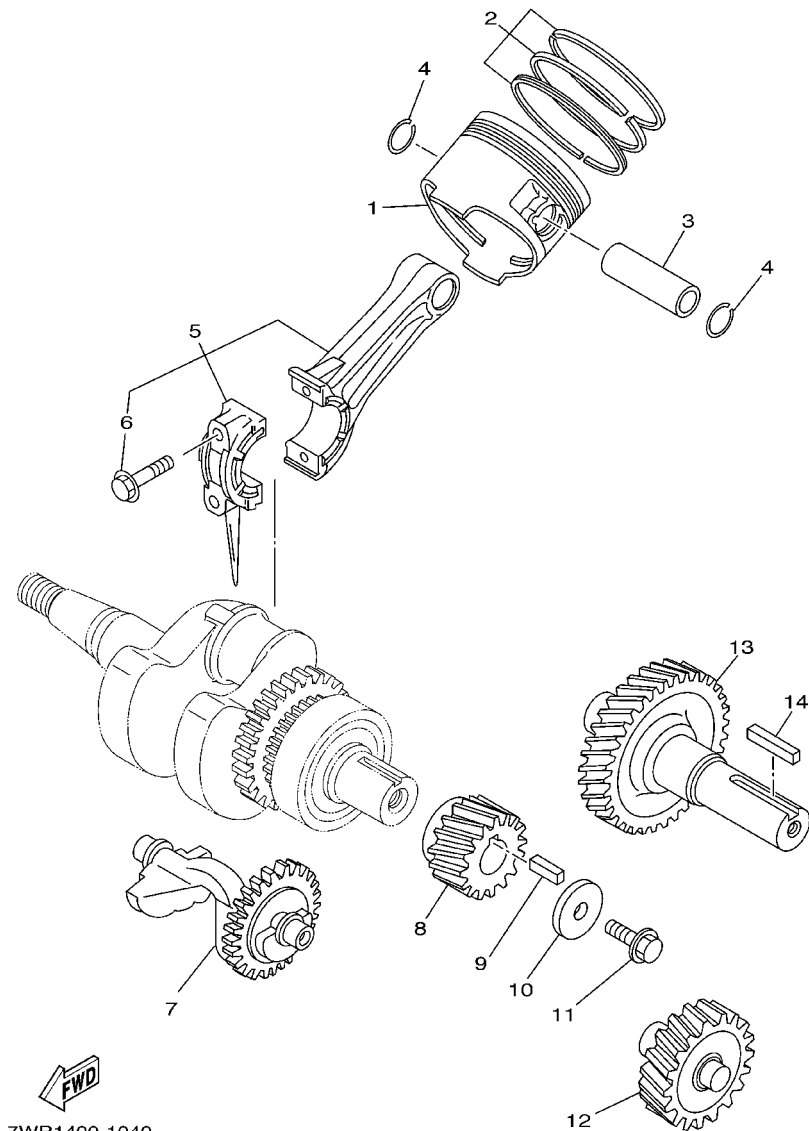


| REF. NO. | PART NO. | DESCRIPTION | 300 | 300R | 360 | 360R | REMARKS |
|----------|-----------------|------------------------------|-----|------|-----|------|---------------|
| | | | | | | | |
| 1 | JN6-11631-00-A0 | PISTON (STD) | 1 | | | | |
| | 7RH-11631-00-A0 | PISTON (STD) | | | 1 | | |
| | 7RK-11631-00-A0 | PISTON (STD) | | | 1 | | FOR C1AT-K |
| | JN6-11635-00 | PISTON (0.25MM O/S) | 1 | | | | AP |
| | 7RH-11635-00 | PISTON (0.25MM O/S) | | | 1 | | AP |
| | 7RK-11635-00 | PISTON (0.25MM O/S) | | | 1 | | AP FOR C1AT-K |
| | JN6-11636-00 | PISTON (0.50MM O/S) | 1 | | | | AP |
| | 7RH-11636-00 | PISTON (0.50MM O/S) | | | 1 | | AP |
| | 7RK-11636-00 | PISTON (0.50MM O/S) | | | 1 | | AP FOR C1AT-K |
| 2 | JN6-11610-00 | PISTON RING SET (STD) | 1 | | | | |
| | 7RH-11603-00 | PISTON RING SET (STD) | | | 1 | | |
| | JN6-11610-10 | PISTON RING SET (0.25MM O/S) | 1 | | | | AP |
| | 7RH-11604-00 | PISTON RING SET (0.25MM O/S) | | | 1 | | AP |
| | JN6-11610-20 | PISTON RING SET (0.50MM O/S) | 1 | | | | AP |
| | 7RH-11605-00 | PISTON RING SET (0.50MM O/S) | | | 1 | | AP |
| 3 | 447-11633-00 | PIN, PISTON | 1 | | | | |
| | 583-11633-00 | PIN, PISTON | | | 1 | | |
| 4 | 93450-21053 | CIRCLIP | 2 | | 2 | | |
| 5 | JN6-11650-00 | CONNECTING ROD ASSY | 1 | | 1 | | |
| 6 | JN6-11654-00 | .BOLT, CONNECTING ROD | 2 | | 2 | | |
| 7 | 7WG-11454-00 | WEIGHT 1 | 1 | | 1 | | |
| 8 | 7RK-11561-00 | SHIM, CRANK 1 (0.1T) | 1 | | 1 | | UN |



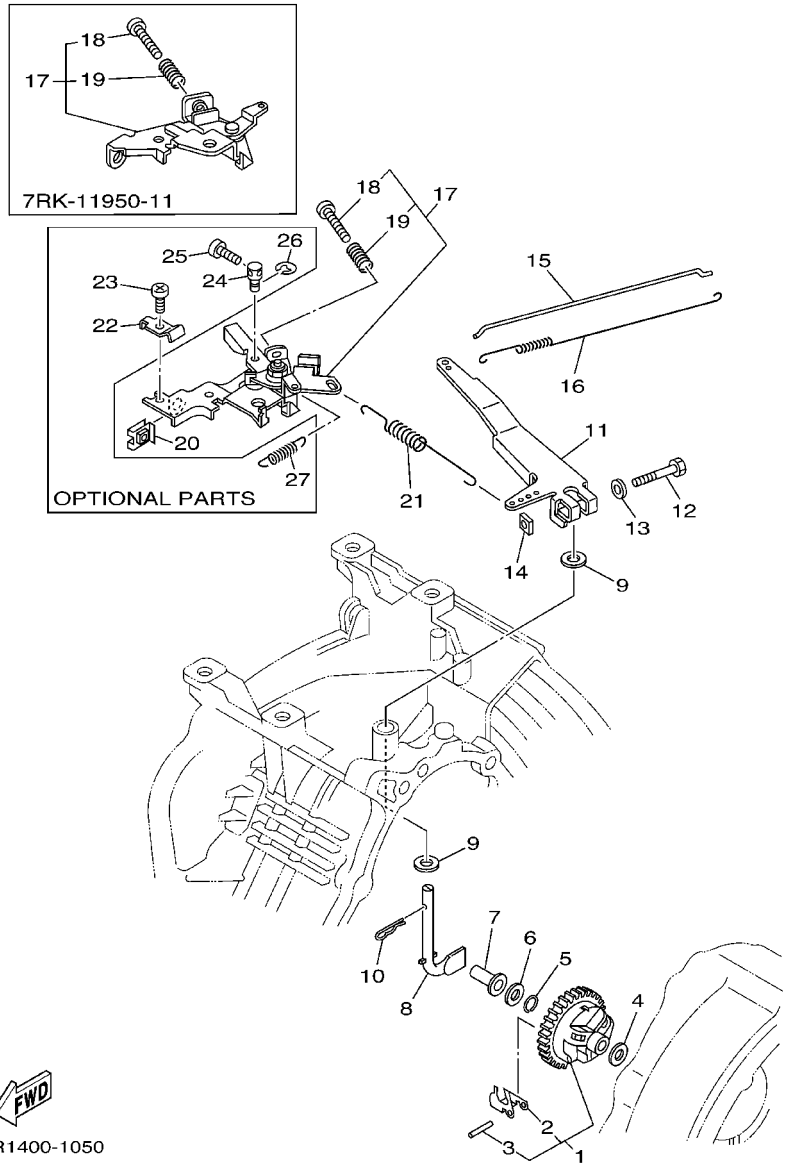
7UH1110-0030

FIG. 4 CRANKSHAFT. PISTON 2 (MZ300R/MZ360R)



| REF. NO. | PART NO. | DESCRIPTION | 300 | 300R | 360 | 360R | REMARKS |
|----------|-----------------|------------------------------|-----|------|-----|------|---------|
| | | | | | | | |
| 1 | JN6-11631-00-A0 | PISTON (STD) | | 1 | | | |
| | 7RH-11631-00-A0 | PISTON (STD) | | | | 1 | |
| | JN6-11635-00 | PISTON (0.25MM O/S) | | 1 | | | AP |
| | 7RH-11635-00 | PISTON (0.25MM O/S) | | | | 1 | AP |
| | JN6-11636-00 | PISTON (0.50MM O/S) | | 1 | | | AP |
| | 7RH-11636-00 | PISTON (0.50MM O/S) | | | | 1 | AP |
| 2 | JN6-11610-00 | PISTON RING SET (STD) | | 1 | | | |
| | 7RH-11603-00 | PISTON RING SET (STD) | | | | 1 | |
| | JN6-11610-10 | PISTON RING SET (0.25MM O/S) | | 1 | | | AP |
| | 7RH-11604-00 | PISTON RING SET (0.25MM O/S) | | | | 1 | AP |
| | JN6-11610-20 | PISTON RING SET (0.50MM O/S) | | 1 | | | AP |
| | 7RH-11605-00 | PISTON RING SET (0.50MM O/S) | | | | 1 | AP |
| 3 | 447-11633-00 | PIN, PISTON | | 1 | | | |
| | 583-11633-00 | PIN, PISTON | | | | 1 | |
| 4 | 93450-21053 | CIRCLIP | | 2 | | 2 | |
| 5 | JN6-11650-00 | CONNECTING ROD ASSY | | 1 | | 1 | |
| 6 | JN6-11654-00 | .BOLT, CONNECTING ROD | | 2 | | 2 | |
| 7 | 7WG-11454-00 | WEIGHT 1 | | 1 | | 1 | |
| 8 | 7RK-11434-00 | GEAR, CRANK SHAFT | | 1 | | 1 | |
| 9 | 90282-07021 | KEY, STRAIGHT | | 1 | | 1 | |
| 10 | 7RK-11557-00 | WASHER 1 | | 1 | | 1 | |
| 11 | 90105-10445 | BOLT, FLANGE | | 1 | | 1 | |
| 12 | 7RK-11455-00 | SHAFT 1 | | 1 | | 1 | |
| 13 | 7RK-11465-00 | SHAFT 2 | | 1 | | 1 | |
| 14 | 90282-07061 | KEY, STRAIGHT (7.0 MM) | | 1 | | 1 | UN |

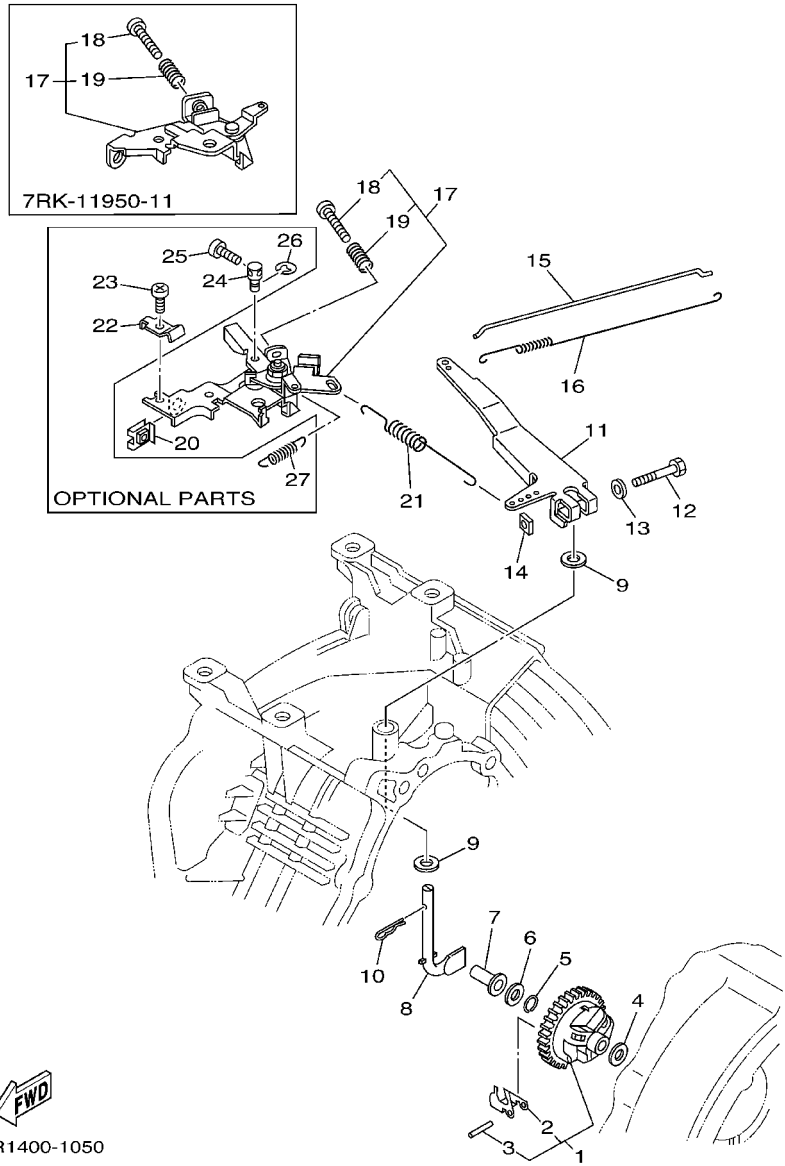
FIG. 5 GOVERNOR 1



7WR1400-1050

| REF. NO. | PART NO. | DESCRIPTION | 300 | 300R | 360 | 360R | REMARKS |
|----------|--------------|-----------------------|-----|------|-----|------|--------------------------------------|
| 1 | 7RH-11970-00 | FLYWEIGHT SHAFT ASSY. | 1 | 1 | 1 | 1 | |
| 2 | 7RH-11913-00 | .WEIGHT | 3 | 3 | 3 | 3 | |
| 3 | 7FK-11914-00 | .SHAFT, WEIGHT | 3 | 3 | 3 | 3 | |
| 4 | 90201-065K7 | WASHER, PLATE | 1 | 1 | 1 | 1 | |
| 5 | 93440-06107 | CIRCLIP | 1 | 1 | 1 | 1 | |
| 6 | 90201-067L0 | WASHER, PLATE | 1 | 1 | 1 | 1 | |
| 7 | 7KY-11917-00 | COLLAR | 1 | 1 | 1 | 1 | |
| 8 | 7RH-11922-00 | FORK, GOVERNOR | 1 | 1 | 1 | 1 | |
| 9 | 90201-08092 | WASHER, PLATE | 2 | 2 | 2 | 2 | |
| 10 | 90468-12006 | CLIP | 1 | 1 | 1 | 1 | |
| 11 | 7RK-11924-10 | ARM, GOVERNOR | 1 | 1 | 1 | 1 | |
| 12 | 97027-06030 | BOLT | 1 | 1 | 1 | 1 | |
| 13 | 92907-06600 | WASHER, PLATE | 1 | 1 | 1 | 1 | |
| 14 | 90173-06017 | NUT, SQUARE | 1 | 1 | 1 | 1 | |
| 15 | 7RH-11928-00 | ROD, LINK | 1 | 1 | 1 | 1 | |
| 16 | 90506-04458 | SPRING, TENSION | 1 | 1 | 1 | 1 | |
| 17 | 7RK-41240-02 | THROTTLE LEVER COMP. | 1 | 1 | 1 | 1 | |
| | 7RK-11950-11 | ADJUST PLATE COMP. | 1 | 1 | | | FOR L1,K4-60,K4,K5-60,K5,K6-60,K6,L3 |
| 18 | 98507-05025 | .SCREW, PAN HEAD | 1 | 1 | 1 | 1 | |
| | 98507-05030 | .SCREW, PAN HEAD | 1 | 1 | | | FOR L1,K4-60,K4,K5-60,K5,K6-60,K6,L3 |
| 19 | 90501-090A8 | .SPRING, COMPRESSION | 1 | 1 | 1 | 1 | |
| 20 | 90183-06036 | NUT, SPRING | 1 | 1 | 1 | 1 | |
| 21 | 7RK-11925-01 | SPRING, GOVERNOR | 1 | 1 | 1 | 1 | |
| | 7RK-11925-20 | SPRING, GOVERNOR | 1 | 1 | | | FOR L1,K4-60,K4,K5-60,K5,K6-60,K6,L3 |
| 22 | 77Y-11950-01 | HOLDER, WIRE | 1 | 1 | 1 | 1 | AP |
| 23 | 98507-05012 | .SCREW, PAN HEAD | 1 | 1 | 1 | 1 | AP |
| 24 | 7UH-11932-00 | SETTER, WIRE | 1 | 1 | 1 | 1 | AP |

FIG. 5 GOVERNOR 1



| REF. NO. | PART NO. | DESCRIPTION | 300 | 300F | 360 | 360R | REMARKS |
|----------|-------------|-----------------|-----|------|-----|------|---------|
| 25 | 98507-04006 | SCREW, PAN HEAD | 1 | 1 | 1 | 1 | AP |
| 26 | 99001-04600 | CIRCLIP | 1 | 1 | 1 | 1 | AP |
| 27 | 90506-07412 | SPRING, TENSION | 1 | 1 | 1 | 1 | AP |
| ----- | | | | | | | |
| ----- | | | | | | | |
| ----- | | | | | | | |
| ----- | | | | | | | |
| ----- | | | | | | | |
| ----- | | | | | | | |
| ----- | | | | | | | |
| ----- | | | | | | | |
| ----- | | | | | | | |

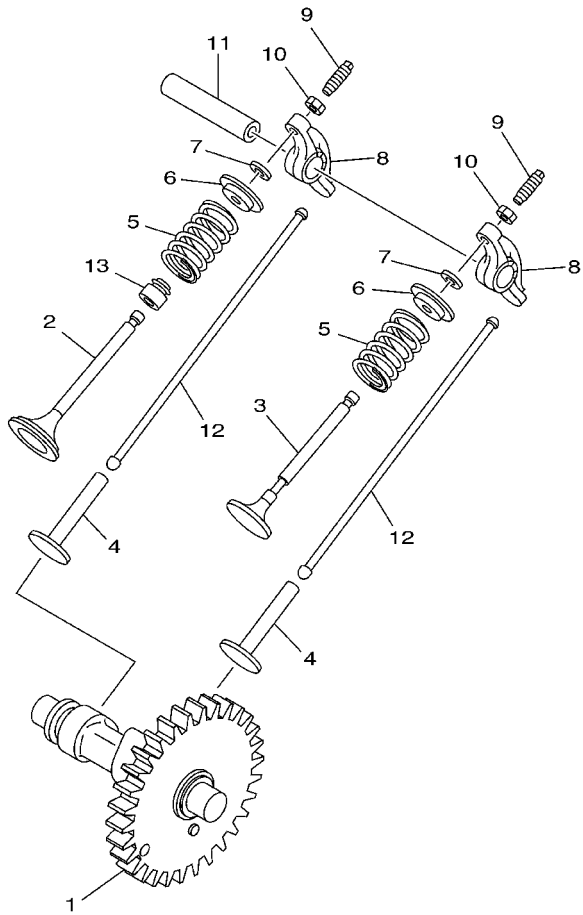


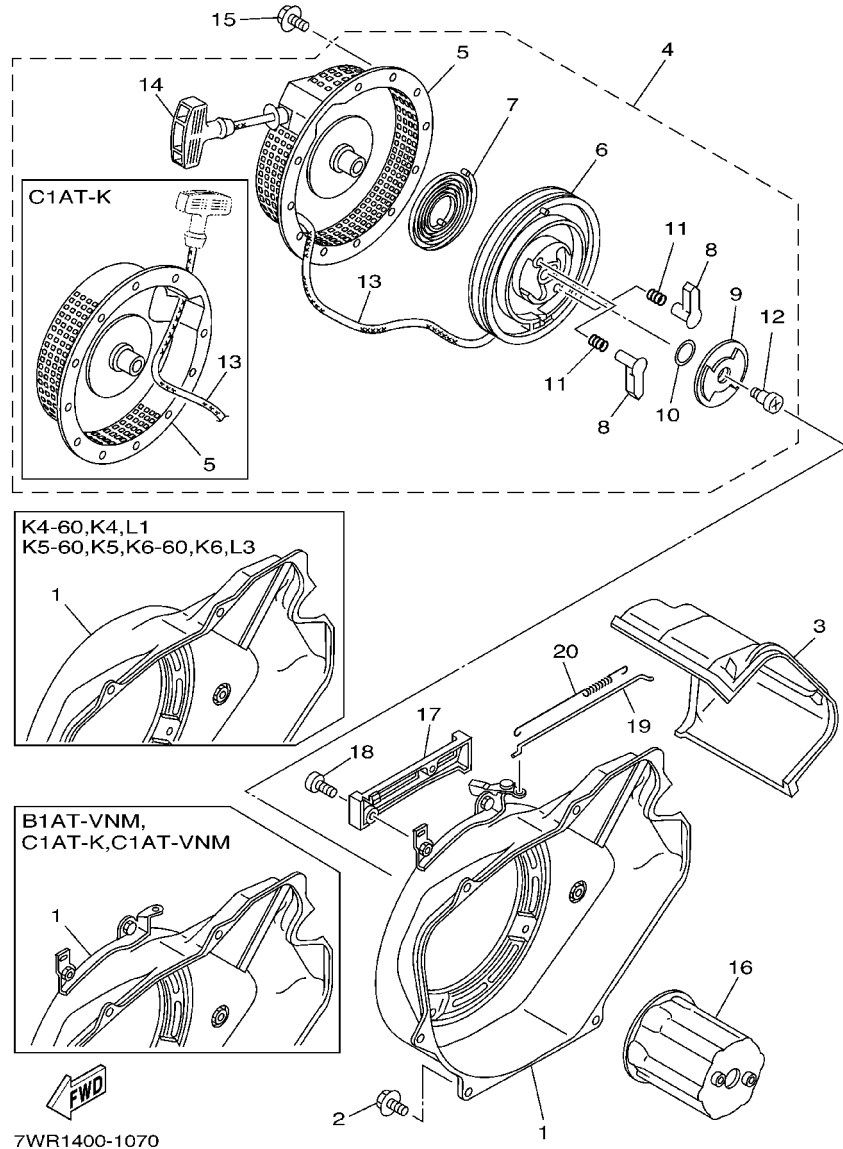
FIG. 6 CAMSHAFT. VALVE

| REF. NO. | PART NO. | DESCRIPTION | 300 | 300F | 360 | 360F | REMARKS |
|----------|--------------|------------------------|-----|------|-----|------|---------|
| | | | | | | | |
| 1 | 7WG-12170-00 | CAMSHAFT ASSY 1 | 1 | 1 | 1 | 1 | |
| 2 | JN6-12111-01 | VALVE, INTAKE | 1 | 1 | 1 | 1 | |
| 3 | 7RH-12121-00 | VALVE, EXHAUST | 1 | 1 | 1 | 1 | |
| 4 | JN6-12153-00 | LIFTER, VALVE | 2 | 2 | 2 | 2 | |
| 5 | 90501-264A9 | SPRING, COMPRESSION | 2 | 2 | 2 | 2 | |
| 6 | J38-12117-01 | RETAINER, VALVE SPRING | 2 | 2 | 2 | 2 | |
| 7 | J38-12118-00 | COTTER, VALVE | 2 | 2 | 2 | 2 | |
| 8 | JN6-12151-00 | ARM, VALVE ROCKER | 2 | 2 | 2 | 2 | |
| 9 | 22F-12159-00 | SCREW, VALVE ADJUSTING | 2 | 2 | 2 | 2 | |
| 10 | 90170-05302 | NUT | 2 | 2 | 2 | 2 | |
| 11 | J38-12156-00 | SHAFT, ROCKER 2 | 1 | 1 | 1 | 1 | |
| 12 | JN6-12154-00 | ROD, VALVE PUSH | 2 | 2 | 2 | 2 | |
| 13 | 4G0-12119-00 | SEAL, VALVE STEM | 1 | 1 | 1 | 1 | |
| | | | | | | | |
| | | | | | | | |
| | | | | | | | |
| | | | | | | | |

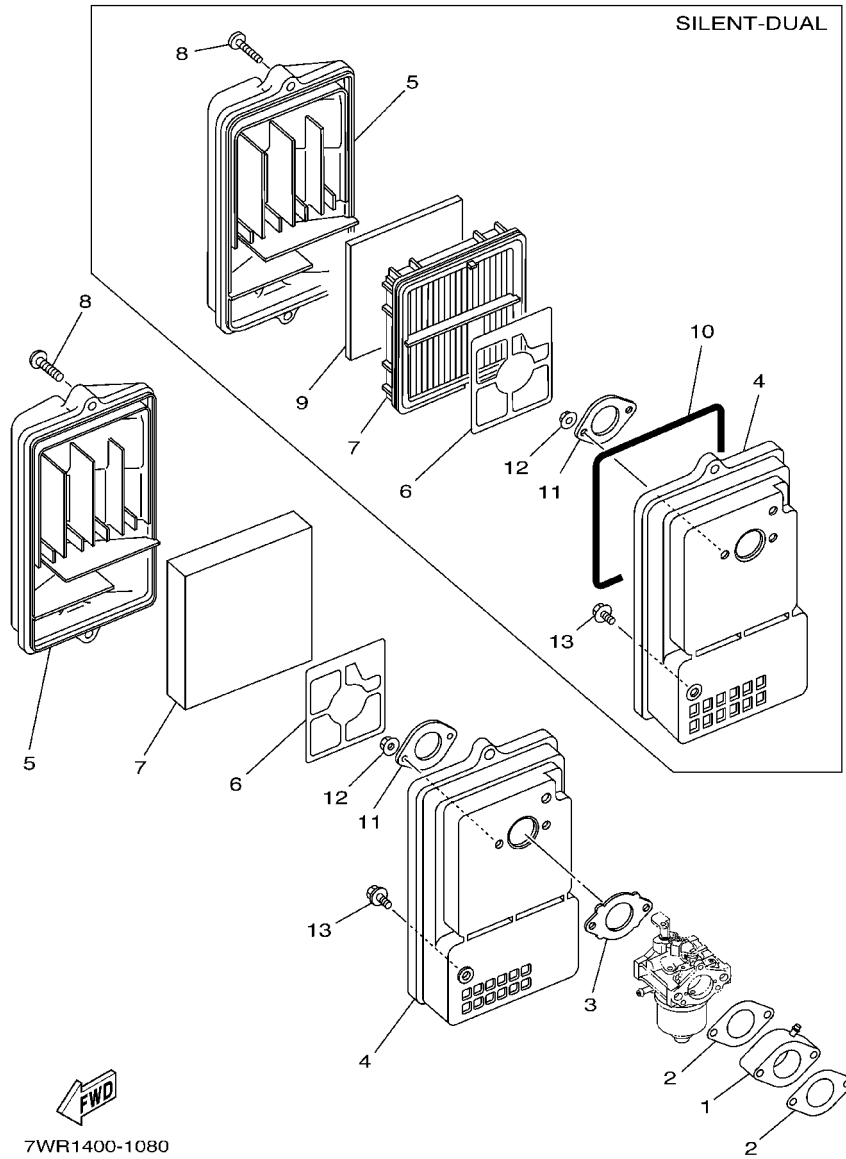


7UK1110-8060

FIG. 7 AIR SHROUD. STARTER



| REF. NO. | PART NO. | DESCRIPTION | 300 | 300R | 360 | 360R | REMARKS |
|--|--------------|------------------------|-----|------|-----|------|---|
| 1 | 7WG-12621-00 | CASE, FAN | 1 | 1 | 1 | 1 | |
| | 7WG-12621-10 | CASE, FAN | 1 | | 1 | | FOR K4-60, K4, L1, K5-60, K5, K6-60, K6, L3 |
| | 7WG-12621-20 | CASE, FAN | 1 | | 1 | | FOR B1AT-VNM, C1AT-K, C1AT-VNM |
| 2 | 95807-06012 | BOLT, FLANGE | 5 | 5 | 5 | 5 | |
| 3 | 7RH-12651-01 | AIR SHROUD, CYLINDER 1 | 1 | 1 | 1 | 1 | |
| 4 | 7RH-15710-00 | STARTER ASSY | 1 | 1 | 1 | 1 | |
| | 7RJ-15710-S0 | STARTER ASSY | | | 1 | | FOR C1AT-K |
| 5 | 7RH-15711-00 | .CASE, STARTER | 1 | 1 | 1 | 1 | |
| | 7RJ-15711-S0 | .CASE, STARTER | | | 1 | | FOR C1AT-K |
| 6 | 7RH-15714-00 | .DRUM, SHEAVE | 1 | 1 | 1 | 1 | |
| 7 | 7RH-15713-00 | .SPRING, STARTER | 1 | 1 | 1 | 1 | |
| 8 | 7RH-15741-00 | .PAWL, DRIVE | 2 | 2 | 2 | 2 | |
| 9 | 7RH-15716-00 | .PLATE, DRIVE | 1 | 1 | 1 | 1 | |
| 10 | 7RH-15715-00 | .SPRING, FRICTION | 1 | 1 | 1 | 1 | |
| 11 | JK4-15743-00 | .SPRING, RETURN | 2 | 2 | 2 | 2 | |
| 12 | 7NJ-15793-00 | .SCREW | 1 | 1 | 1 | 1 | |
| 13 | 7RH-15751-00 | .WIRE, STARTER | 1 | 1 | 1 | 1 | |
| | 7RJ-15751-S0 | .WIRE, STARTER | | | 1 | | FOR C1AT-K |
| 14 | 7RH-15755-00 | .HANDLE, STARTER | 1 | 1 | 1 | 1 | |
| 15 | 95807-06008 | BOLT, FLANGE | 4 | 4 | 4 | 4 | |
| 16 | 7RH-15723-00 | PULLEY, STARTER | 1 | 1 | 1 | 1 | |
| 17 | 7RK-41266-00 | COVER, LINK | 1 | 1 | 1 | 1 | EXCEPT FOR *1 |
| 18 | 98507-05010 | SCREW, PAN HEAD | 2 | 2 | 2 | 2 | EXCEPT FOR *1 |
| 19 | 7RK-41256-00 | ROD, CHOKE 1 | 1 | 1 | 1 | 1 | EXCEPT FOR *2 |
| 20 | 90506-04421 | SPRING, TENSION | 1 | 1 | 1 | 1 | EXCEPT FOR *2 |
| *1 K4-60, K4, L1, K5-60, K5, K6-60, K6, L3 | | | | | | | |
| *2 K4-60, K4, L1, K5-60, K5, K6-60, K6, L3, B1AT-VNM, C1AT-K, C1AT-VNM | | | | | | | |

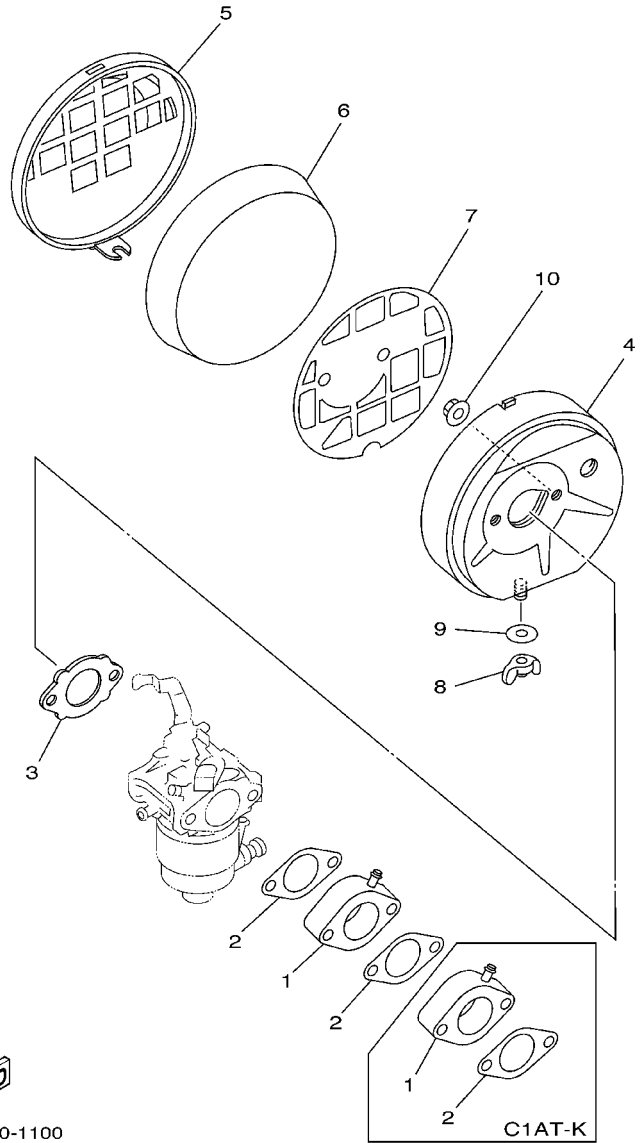


7WR1400-1080

FIG. 8 INTAKE 1 (SILENT SEMI-DRY/SILENT-DUAL)

| REF. NO. | PART NO. | DESCRIPTION | 300 | 300F | 360 | 360F | REMARKS |
|----------|--------------|------------------------|-----|------|-----|------|-----------------|
| | | | | | | | |
| 1 | 7RH-13596-10 | JOINT, CARBURETOR 2 | 1 | 1 | 1 | 1 | |
| 2 | 7RH-13557-00 | GASKET | 2 | 2 | 2 | 2 | |
| 3 | 7RH-13567-00 | GASKET | 1 | 1 | 1 | 1 | |
| 4 | 7RH-14411-01 | CASE, AIR CLEANER 1 | 1 | 1 | 1 | 1 | |
| 5 | 7RH-14412-01 | CAP, CLEANER CASE 1 | 1 | 1 | 1 | 1 | |
| 6 | 7RH-14468-00 | PLATE,ELEMENT FITTING | 1 | 1 | 1 | 1 | |
| 7 | 7RH-14451-00 | ELEMENT, AIR CLEANER | 1 | 1 | 1 | 1 | |
| | 7RK-14451-10 | ELEMENT, AIR CLEANER | 1 | 1 | 1 | 1 | FOR SILENT-DUAL |
| 8 | 7RH-14429-00 | SCREW | 2 | 2 | 2 | 2 | |
| 9 | 7RK-14461-10 | ELEMENT, AIR CLEANER 2 | 1 | 1 | 1 | 1 | FOR SILENT-DUAL |
| 10 | 7RK-14462-10 | SEAL | 1 | 1 | 1 | 1 | FOR SILENT-DUAL |
| 11 | 7LV-14477-00 | PLATE | 1 | 1 | 1 | 1 | |
| 12 | 95707-08500 | NUT, FLANGE | 1 | 1 | 1 | 1 | |
| 13 | 95807-06016 | BOLT, FLANGE | 1 | 1 | 1 | 1 | |
| | | | | | | | |
| | | | | | | | |
| | | | | | | | |
| | | | | | | | |

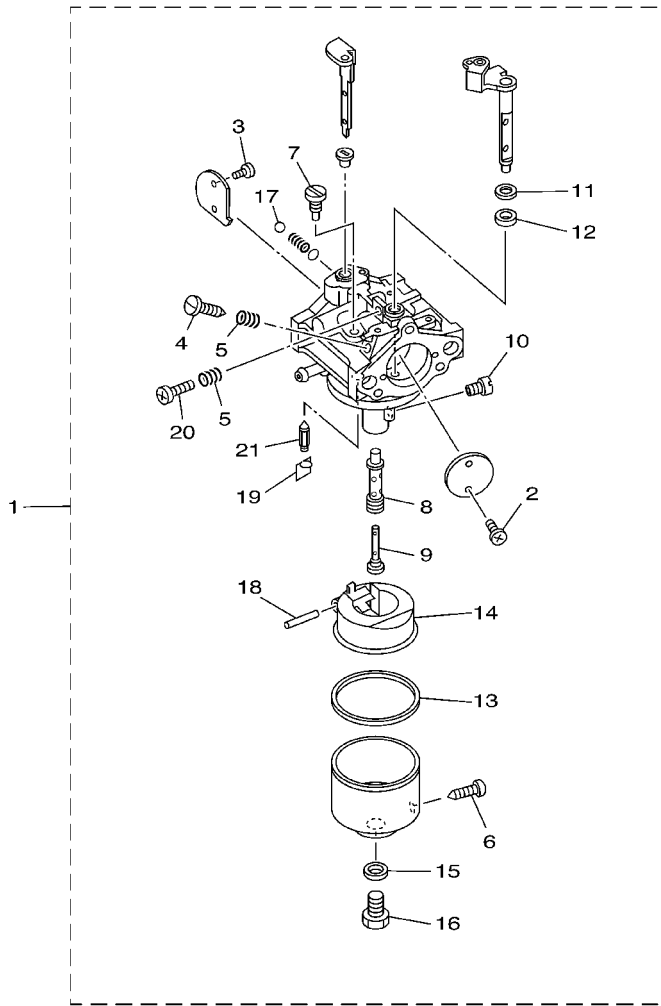
FIG. 10 INTAKE 3 (FOR SEMI-CYCLONE B1AT-VNM,C1AT-K,C1AT-VNM)



7WR1400-1100

| REF. NO. | PART NO. | DESCRIPTION | 300 | 300R | 360 | 360R | REMARKS |
|----------|--------------|----------------------|-----|------|-----|------|------------|
| | | | | | | | |
| 1 | 7RH-13596-10 | JOINT, CARBURETOR 2 | 1 | | 1 | | |
| | 7RH-13596-10 | JOINT, CARBURETOR 2 | | | 2 | | FOR C1AT-K |
| 2 | 7RH-13557-00 | GASKET | 2 | | 2 | | |
| | 7RH-13557-00 | GASKET | | | 3 | | FOR C1AT-K |
| 3 | 7RH-13567-00 | GASKET | 1 | | 1 | | |
| 4 | 7RK-14411-00 | CASE, AIR CLEANER 1 | 1 | | 1 | | |
| 5 | 7RK-14412-00 | CAP, CLEANER CASE 1 | 1 | | 1 | | |
| 6 | 7RK-14472-00 | PLATE, ELEMENT | 1 | | 1 | | |
| 7 | 75G-14451-00 | ELEMENT, AIR CLEANER | 1 | | 1 | | |
| 8 | 90175-06012 | NUT, WING | 1 | | 1 | | |
| 9 | 90201-06557 | WASHER, PLATE | 1 | | 1 | | |
| | | | | | | | |
| | | | | | | | |
| | | | | | | | |
| | | | | | | | |
| | | | | | | | |
| | | | | | | | |
| | | | | | | | |
| | | | | | | | |

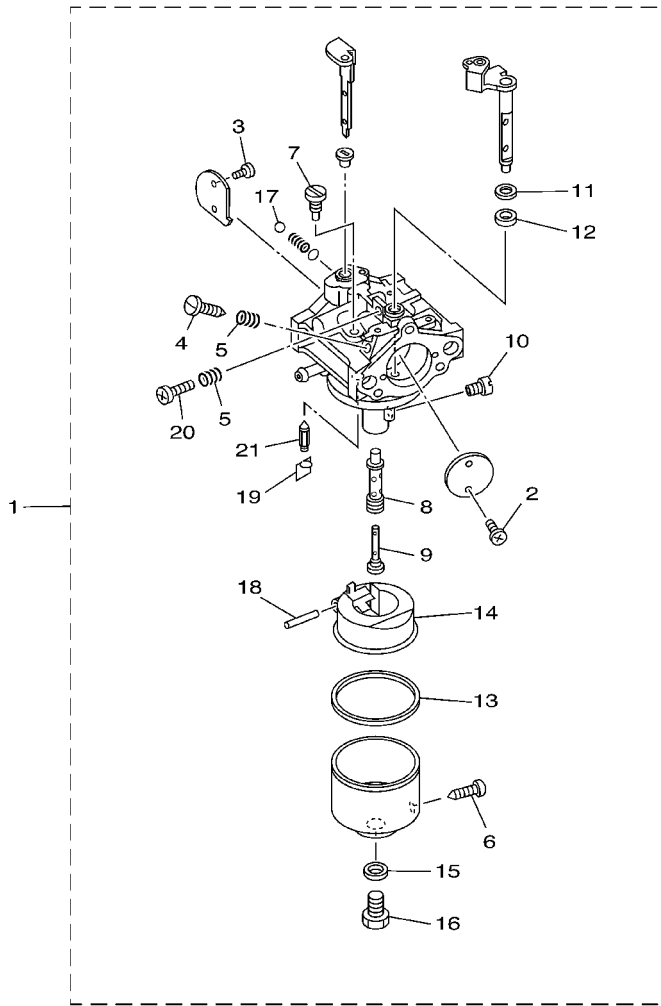
FIG. 11 CARBURETOR 1 (FOR SILENT SEMI-DRY)



7WR1400-1110

| REF. NO. | PART NO. | DESCRIPTION | 300 | 300F | 360 | 360F | REMARKS |
|----------|--------------|-------------------------|-----|------|-----|------|---------------------------|
| | | | | | | | |
| 1 | 7RJ-14101-00 | CARBURETOR ASSY 1 | 1 | 1 | | | |
| | 7RJ-14101-10 | CARBURETOR ASSY 1 | 1 | | | | FOR K4-60,K4,L1 |
| | 7RK-14101-00 | CARBURETOR ASSY 1 | | | 1 | 1 | |
| | 7RK-14101-10 | CARBURETOR ASSY 1 | | | 1 | | FOR K5-60,K5,K6-60, K6,L3 |
| 2 | 7RH-14216-00 | .SCREW | 2 | 2 | 2 | 2 | |
| 3 | 7RH-14486-00 | .SCREW, ROD | 2 | 2 | 2 | 2 | |
| 4 | 7LV-14211-00 | .SCREW, PILOT ADJUSTING | 1 | 1 | 1 | 1 | |
| 5 | 73A-14212-00 | .SPRING | 2 | 2 | 2 | 2 | |
| 6 | 7E1-14191-00 | .PLUG, DRAIN | 1 | 1 | 1 | 1 | |
| 7 | 620-1414J-24 | .JET, PILOT (#61.3) | 1 | 1 | | | |
| | 620-14142-62 | .JET, PILOT (#62.5) | | | 1 | 1 | |
| 8 | 7LW-14941-53 | .NOZZLE, MAIN | 1 | 1 | 1 | 1 | |
| 9 | 73A-1414G-00 | .PIPE, MAIN BREED | 1 | 1 | 1 | 1 | |
| 10 | 3G2-14231-20 | .JET, MAIN (#100) | 1 | 1 | | | |
| | 3G2-1423A-72 | .JET, MAIN (#107.5) | | | 1 | 1 | |
| 11 | 4CW-14117-00 | .WASHER, PLUG SCREW | 1 | 1 | 1 | 1 | |
| 12 | 7X9-14239-00 | .SEAL | 1 | 1 | 1 | 1 | |
| 13 | 796-14184-00 | .GASKET, FLOAT CHAMBER | 1 | 1 | 1 | 1 | |
| 14 | JN6-14185-00 | .FLOAT | 1 | 1 | 1 | 1 | |
| 15 | 127-14198-00 | .GASKET | 1 | 1 | 1 | 1 | |
| 16 | 7RG-14162-00 | .BOLT, HOLDING | 1 | 1 | 1 | 1 | |
| 17 | 93501-08001 | .BALL | 1 | 1 | 1 | 1 | |
| 18 | 22F-14186-00 | .PIN, FLOAT | 1 | 1 | 1 | 1 | |
| 19 | 7EG-14159-00 | .CLIP | 1 | 1 | 1 | 1 | |
| 20 | 1WG-14922-00 | .SCREW, THROTTLE | 1 | 1 | 1 | 1 | |
| 21 | 73A-14150-00 | .NEEDLE ASSY | 1 | 1 | 1 | 1 | |

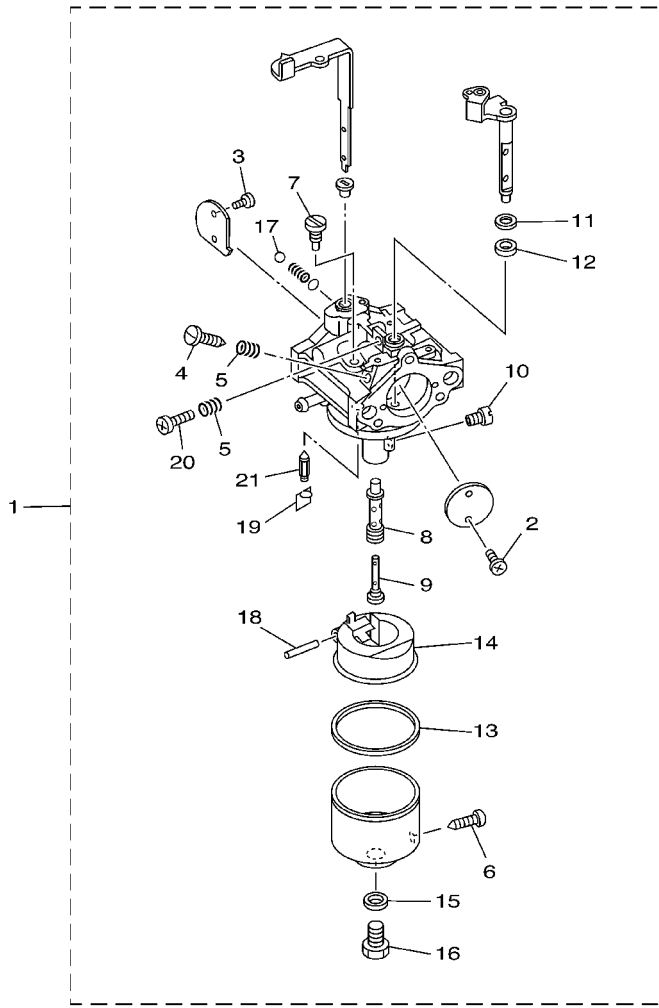
FIG. 12 CARBURETOR 2 (FOR SILENT-DUAL)



7WR1400-1110

| REF. NO. | PART NO. | DESCRIPTION | 300 | 300F | 360 | 360F | REMARKS |
|----------|--------------|-------------------------|-----|------|-----|------|------------------|
| | | | | | | | |
| 1 | 7RJ-14101-50 | CARBURETOR ASSY 1 | 1 | 1 | | | FOR 1B,1BK,2B,3B |
| | 7RK-14101-50 | CARBURETOR ASSY 1 | | | 1 | 1 | FOR 1B,2B,3B |
| 2 | 7RH-14216-00 | .SCREW | 2 | 2 | 2 | 2 | |
| 3 | 7RH-14486-00 | .SCREW, ROD | 2 | 2 | 2 | 2 | |
| 4 | 7LV-14211-00 | .SCREW, PILOT ADJUSTING | 1 | 1 | 1 | 1 | |
| 5 | 73A-14212-00 | .SPRING | 2 | 2 | 2 | 2 | |
| 6 | 7E1-14191-00 | .PLUG, DRAIN | 1 | 1 | 1 | 1 | |
| 7 | 620-1414J-24 | .JET, PILOT (#61.3) | 1 | 1 | | | FOR 1B,1BK,2B,3B |
| | 620-14142-57 | .JET, PILOT (#100) | | | 1 | 1 | FOR 1B,2B,3B |
| 8 | 7RK-1495N-6A | .NOZZLE, MAIN | 1 | 1 | 1 | 1 | |
| 9 | 73A-1414G-00 | .PIPE, MAIN BREED | 1 | 1 | 1 | 1 | |
| 10 | 3G2-14231-20 | .JET, MAIN (#100) | 1 | 1 | | | FOR 1B,1BK,2B,3B |
| | 3G2-14231-21 | .JET, MAIN (#105) | | | 1 | 1 | FOR 1B,2B,3B |
| 11 | 4CW-14117-00 | .WASHER, PLUG SCREW | 1 | 1 | 1 | 1 | |
| 12 | 7X9-14239-00 | .SEAL | 1 | 1 | 1 | 1 | |
| 13 | 796-14184-00 | .GASKET, FLOAT CHAMBER | 1 | 1 | 1 | 1 | |
| 14 | JN6-14185-00 | .FLOAT | 1 | 1 | 1 | 1 | |
| 15 | 127-14198-00 | .GASKET | 1 | 1 | 1 | 1 | |
| 16 | 7RG-14162-00 | .BOLT, HOLDING | 1 | 1 | 1 | 1 | |
| 17 | 93501-08001 | .BALL | 1 | 1 | 1 | 1 | |
| 18 | 22F-14186-00 | .PIN, FLOAT | 1 | 1 | 1 | 1 | |
| 19 | 7EG-14159-00 | .CLIP | 1 | 1 | 1 | 1 | |
| 20 | 1WG-14922-00 | .SCREW, THROTTLE | 1 | 1 | 1 | 1 | |
| 21 | 73A-14150-00 | .NEEDLE ASSY | 1 | 1 | 1 | 1 | |

FIG. 13 CARBURETOR 3 (FOR SEMI-CYCLONE EXCEPT FOR C1AT-K)

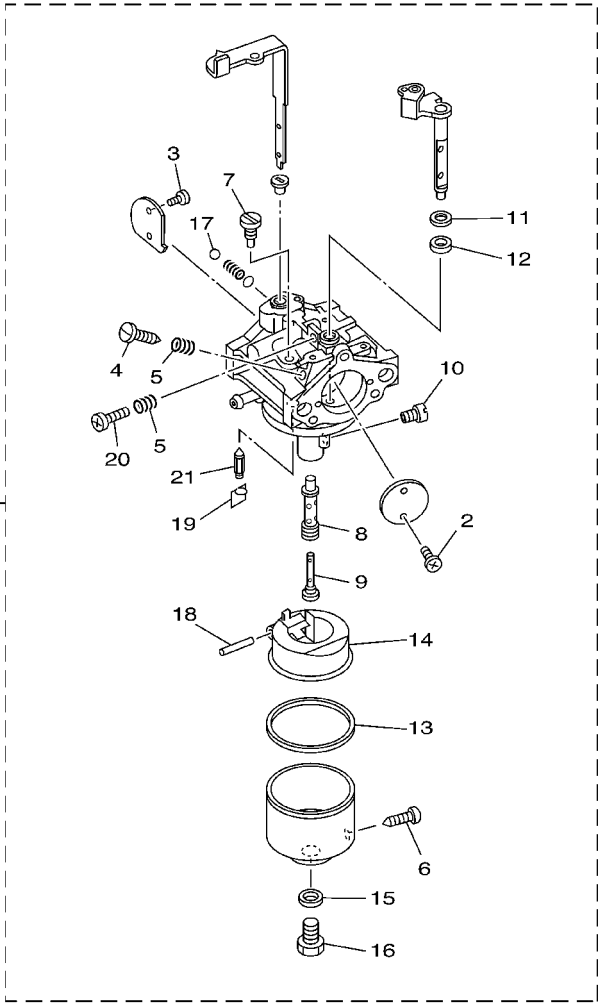


7WR1400-1130

| REF. NO. | PART NO. | DESCRIPTION | 300 | 300F | 360 | 360F | REMARKS |
|----------|--------------|-------------------------|-----|------|-----|------|-----------------------------|
| | | | | | | | |
| 1 | 7RJ-14101-20 | CARBURETOR ASSY 1 | 1 | | | | FOR B1AT-VNM |
| | 7RJ-14101-60 | CARBURETOR ASSY 1 | 1 | | | | FOR 1C,2C |
| | 7RK-14101-40 | CARBURETOR ASSY 1 | | | 1 | | FOR C1AT-VNM |
| | 7RK-14101-60 | CARBURETOR ASSY 1 | | | 1 | 1 | FOR 1C,2C |
| 2 | 7RH-14216-00 | .SCREW | 2 | 2 | 2 | | |
| 3 | 7RH-14486-00 | .SCREW, ROD | 2 | 2 | 2 | | |
| 4 | 7LV-14211-00 | .SCREW, PILOT ADJUSTING | 1 | 1 | 1 | | |
| 5 | 73A-14212-00 | .SPRING | 2 | 2 | 2 | | |
| 6 | 7E1-14191-00 | .PLUG, DRAIN | 1 | 1 | 1 | | |
| 7 | 620-1414J-24 | .JET, PILOT (#61.3) | 1 | 1 | | | FOR 300(1C,2C), C1AT-VNM |
| | 620-14142-57 | .JET, PILOT (#100) | 1 | 1 | 1 | | FOR B1AT-VNM, 360(1C,2C) |
| 8 | 7RK-1495N-6A | .NOZZLE, MAIN | 1 | 1 | 1 | | |
| 9 | 73A-1414G-00 | .PIPE, MAIN BREED | 1 | 1 | 1 | | |
| 10 | 3G2-1423E-40 | .JET,MAIN (#101.3) | 1 | | | | FOR B1AT-VNM |
| | 3G2-1423A-70 | .JET, MAIN (#97.5) | 1 | | | | FOR 1C,2C |
| | 3G2-1423E-42 | .JET, MAIN (#106.3) | | | 1 | | FOR C1AT-VNM |
| | 3G2-1423A-71 | .JET, MAIN (#102.5) | | | 1 | 1 | FOR 1C,2C |
| 11 | 4CW-14117-00 | .WASHER, PLUG SCREW | 1 | 1 | 1 | | |
| 12 | 7X9-14239-00 | .SEAL | 1 | 1 | 1 | | |
| 13 | 796-14184-00 | .GASKET, FLOAT CHAMBER | 1 | 1 | 1 | | |
| 14 | JN6-14185-00 | .FLOAT | 1 | 1 | 1 | | |
| 15 | 127-14198-00 | .GASKET | 1 | 1 | 1 | | |
| 16 | 7RG-14162-00 | .BOLT, HOLDING | 1 | 1 | 1 | | |
| 17 | 93501-08001 | .BALL | 1 | 1 | 1 | | |
| 18 | 22F-14186-00 | .PIN, FLOAT | 1 | 1 | 1 | | |
| 19 | 7EG-14159-00 | .CLIP | 1 | 1 | 1 | | |
| 20 | 1WG-14922-00 | .SCREW, THROTTLE | 1 | 1 | 1 | | |

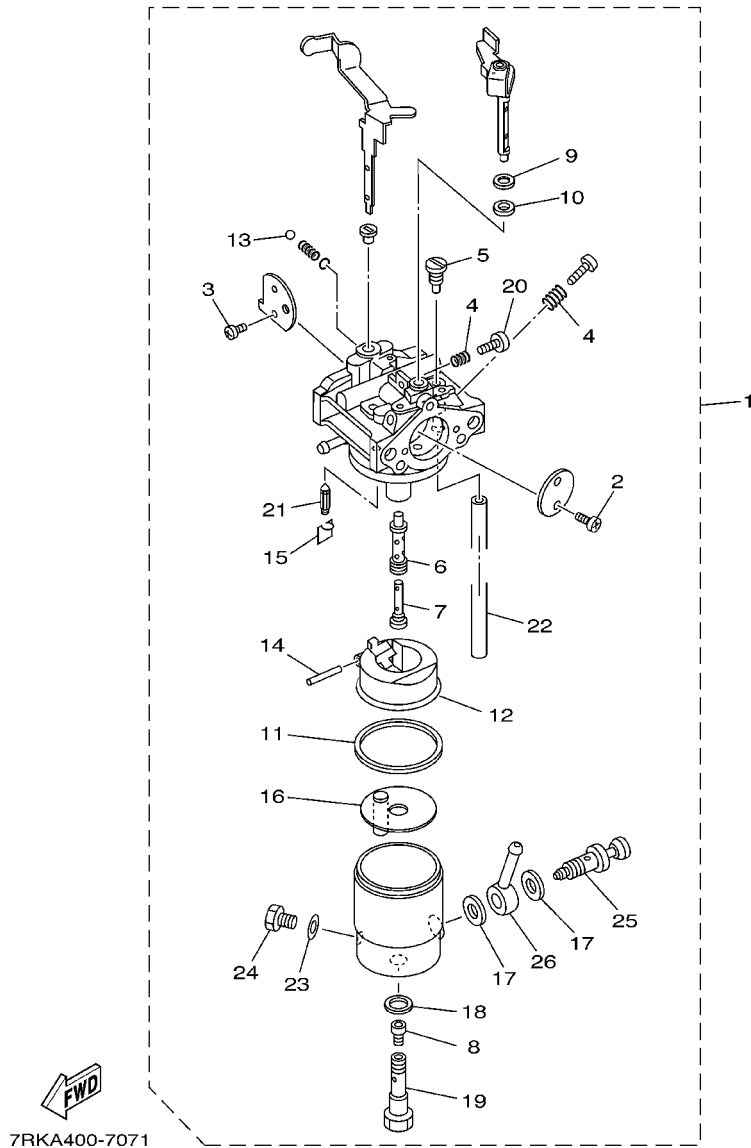
FIG. 13 CARBURETOR 3 (FOR SEMI-CYCLONE EXCEPT FOR C1AT-K)

| REF. NO. | PART NO. | DESCRIPTION | 300 | 300F | 360 | 360R | | REMARKS |
|----------|--------------|--------------|-----|------|-----|------|--|---------|
| 21 | 73A-14150-00 | .NEEDLE ASSY | 1 | | 1 | 1 | | |
| | | | | | | | | |
| | | | | | | | | |
| | | | | | | | | |
| | | | | | | | | |
| | | | | | | | | |
| | | | | | | | | |
| | | | | | | | | |
| | | | | | | | | |
| | | | | | | | | |
| | | | | | | | | |
| | | | | | | | | |
| | | | | | | | | |
| | | | | | | | | |
| | | | | | | | | |
| | | | | | | | | |
| | | | | | | | | |
| | | | | | | | | |
| | | | | | | | | |
| | | | | | | | | |



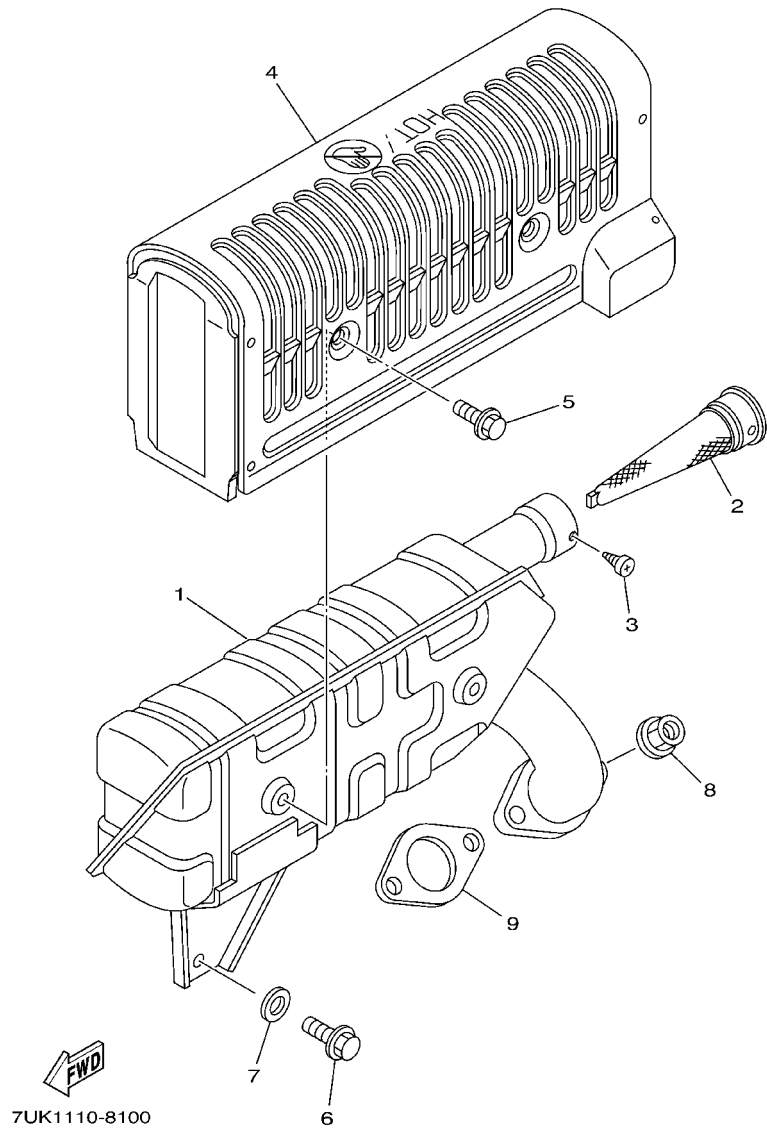
7WR1400-1130

FIG. 14 CARBURETOR 4 (FOR SEMI-CYCLONE C1AT-K)

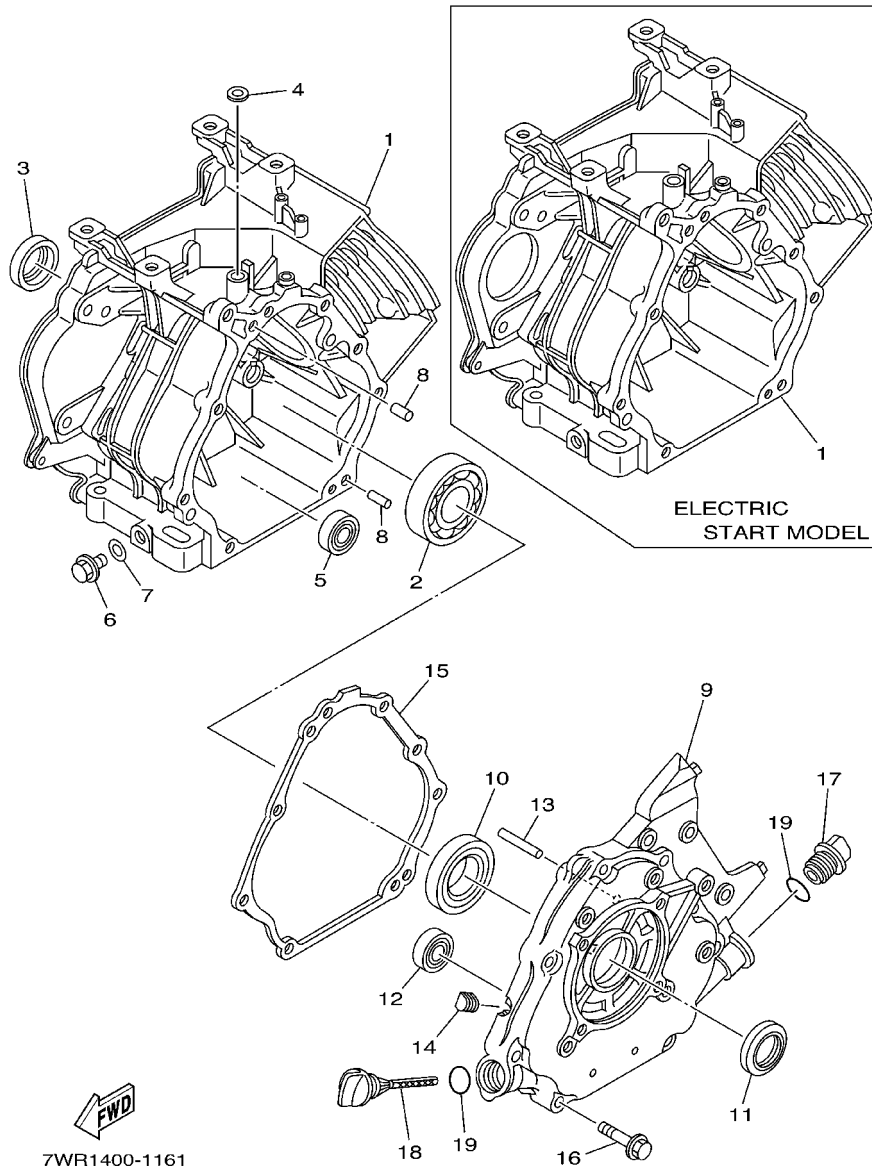


| REF. NO. | PART NO. | DESCRIPTION | 300 | 300F | 360 | 360F | REMARKS |
|----------|--------------|------------------------|-----|------|-----|------|---------|
| 1 | 7RK-14101-21 | CARBURETOR ASSY 1 | | | 1 | | |
| 2 | 7RH-14216-00 | .SCREW | | | 2 | | |
| 3 | 7RH-14486-00 | .SCREW, ROD | | | 2 | | |
| 4 | 73A-14212-00 | .SPRING | | | 2 | | |
| 5 | 620-1414J-25 | .JET, PILOT (#63.8) | | | 1 | | |
| 6 | 7RK-14941-67 | .NOZZLE, MAIN | | | 1 | | |
| 7 | 73A-1414G-00 | .PIPE, MAIN BREED | | | 1 | | |
| 8 | 1HX-1423E-45 | .JET, MAIN (#113.8) | | | 1 | | |
| 9 | 4CW-14117-00 | .WASHER, PLUG SCREW | | | 1 | | |
| 10 | 7X9-14239-00 | .SEAL | | | 1 | | |
| 11 | 796-14184-00 | .GASKET, FLOAT CHAMBER | | | 1 | | |
| 12 | JN6-14185-00 | .FLOAT | | | 1 | | |
| 13 | 93501-08001 | .BALL | | | 1 | | |
| 14 | 22F-14186-00 | .PIN, FLOAT | | | 1 | | |
| 15 | 7EG-14159-00 | .CLIP | | | 1 | | |
| 16 | 7RK-14945-00 | .PLATE A | | | 1 | | |
| 17 | 7T9-14179-00 | .WASHER, STARTER LEVER | | | 2 | | |
| 18 | 78A-14227-00 | .WASHER | | | 1 | | |
| 19 | 7RK-14162-00 | .BOLT, HOLDING | | | 1 | | |
| 20 | 1WG-14922-00 | .SCREW, THROTTLE | | | 1 | | |
| 21 | 73A-14150-00 | .NEEDLE ASSY | | | 1 | | |
| 22 | 4DG-14987-00 | .HOSE | | | 1 | | |
| 23 | 341-14952-00 | .WASHER | | | 1 | | |
| 24 | 7T9-14191-00 | .PLUG, DRAIN | | | 1 | | |
| 25 | 7V0-14171-00 | .PLUNGER, STARTER | | | 1 | | |
| 26 | 7T9-14167-00 | .CONNECTOR | | | 1 | | |

FIG. 15 EXHAUST



| REF. NO. | PART NO. | DESCRIPTION | 300 | 300R | 360 | 360R | REMARKS |
|----------|--------------|----------------------|-----|------|-----|------|---------|
| 1 | 7RK-14711-03 | MUFFLER 1 | 1 | 1 | 1 | 1 | |
| 2 | 7LR-14786-00 | ARRESTER, SPARK | 1 | 1 | 1 | 1 | |
| 3 | 97707-40506 | SCREW, TAPPING | 1 | 1 | 1 | 1 | |
| 4 | 7RK-14708-00 | PROTECTOR ASSY | 1 | 1 | 1 | 1 | |
| 5 | 95827-06008 | BOLT, FLANGE | 4 | 4 | 4 | 4 | |
| 6 | 95827-08016 | BOLT, FLANGE | 1 | 1 | 1 | 1 | |
| 7 | 90201-086A3 | WASHER, PLATE | 1 | 1 | 1 | 1 | |
| 8 | 95307-08600 | NUT | 2 | 2 | 2 | 2 | |
| 9 | 7KY-14613-01 | GASKET, EXHAUST PIPE | 1 | 1 | 1 | 1 | |
| | | | | | | | |
| | | | | | | | |
| | | | | | | | |
| | | | | | | | |
| | | | | | | | |
| | | | | | | | |



7WR1400-1161

FIG. 16 CRANKCASE COVER 1 (MZ300/MZ360)

| REF. NO. | PART NO. | DESCRIPTION | 300 | 300R | 360 | 360R | REMARKS |
|----------|--------------|---------------------------|-----|------|-----|------|------------------------------------|
| | | | | | | | |
| 1 | 7WE-15111-00 | CRANKCASE 1 | 1 | | | | |
| | 7WE-15111-10 | CRANKCASE 1 | 1 | | | | EL. START MODEL FOR 3B,K2 |
| | 7WG-15111-00 | CRANKCASE 1 | | | 1 | | |
| | 7WG-15111-10 | CRANKCASE 1 | | | 1 | | EL. START MODEL FOR 3B,K6-60,K6,L3 |
| 2 | 93306-30709 | BEARING | 1 | | 1 | | |
| 3 | 93102-35191 | OIL SEAL | 1 | | 1 | | |
| 4 | 93109-08050 | OIL SEAL | 1 | | 1 | | |
| 5 | 93306-20201 | BEARING (B6202) | 1 | | 1 | | |
| 6 | 90340-12097 | PLUG, STRAIGHT SCREW | 2 | | 2 | | |
| 7 | 812-11198-00 | GASKET | 2 | | 2 | | |
| 8 | 99530-08016 | PIN, DOWEL | 2 | | 2 | | |
| 9 | 7RK-15411-00 | COVER, CRANKCASE 1 | 1 | | 1 | | |
| 10 | 93306-20714 | BEARING | 1 | | 1 | | |
| 11 | 93102-35191 | OIL SEAL | 1 | | 1 | | |
| 12 | 93306-20201 | BEARING (B6202) | 1 | | 1 | | |
| 13 | 7RH-11971-00 | SHAFT, FLYWEIGHT | 1 | | 1 | | |
| 14 | 90338-06246 | PLUG | 1 | | 1 | | |
| 15 | 7RH-15451-01 | GASKET, CRANKCASE COVER 1 | 1 | | 1 | | |
| 16 | 95817-08045 | BOLT, FLANGE | 8 | | 8 | | |
| 17 | 796-15363-01 | PLUG, OIL | 1 | | 1 | | |
| 18 | 7RK-15362-00 | PLUG, OIL LEVEL | 1 | | 1 | | |
| 19 | 93210-22344 | O-RING | 2 | | 2 | | |

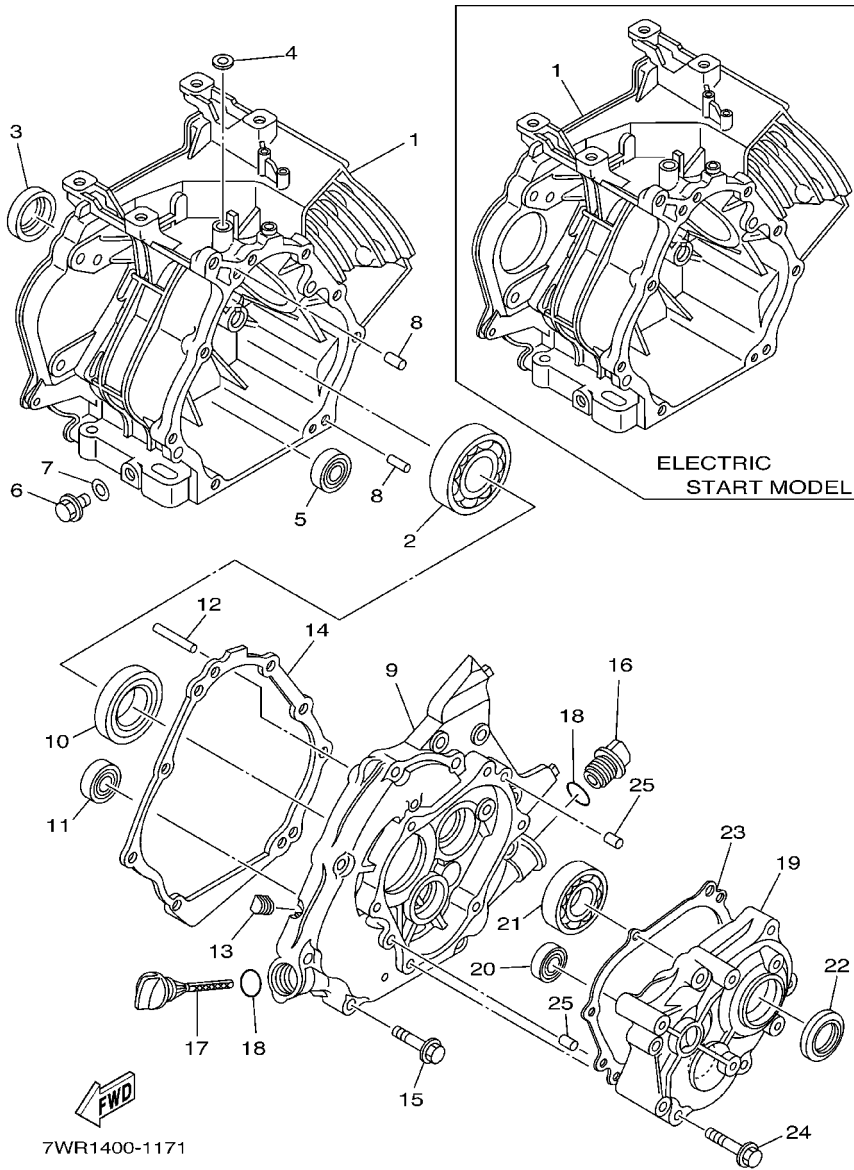
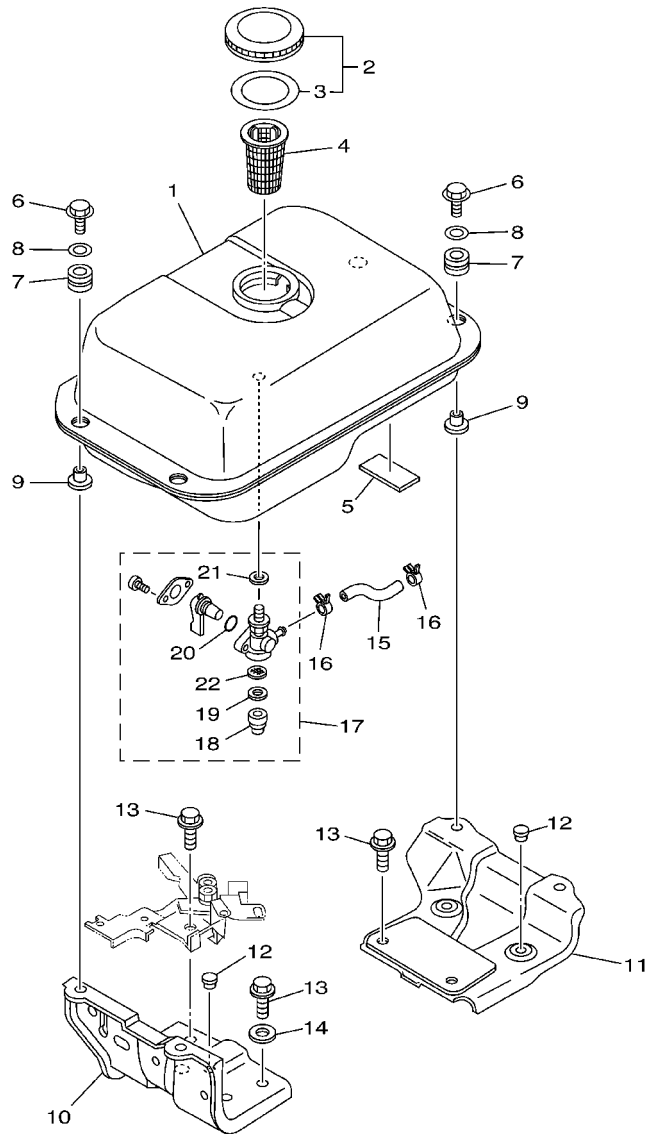


FIG. 17 CRANKCASE COVER 2 (MZ300R/MZ360R)

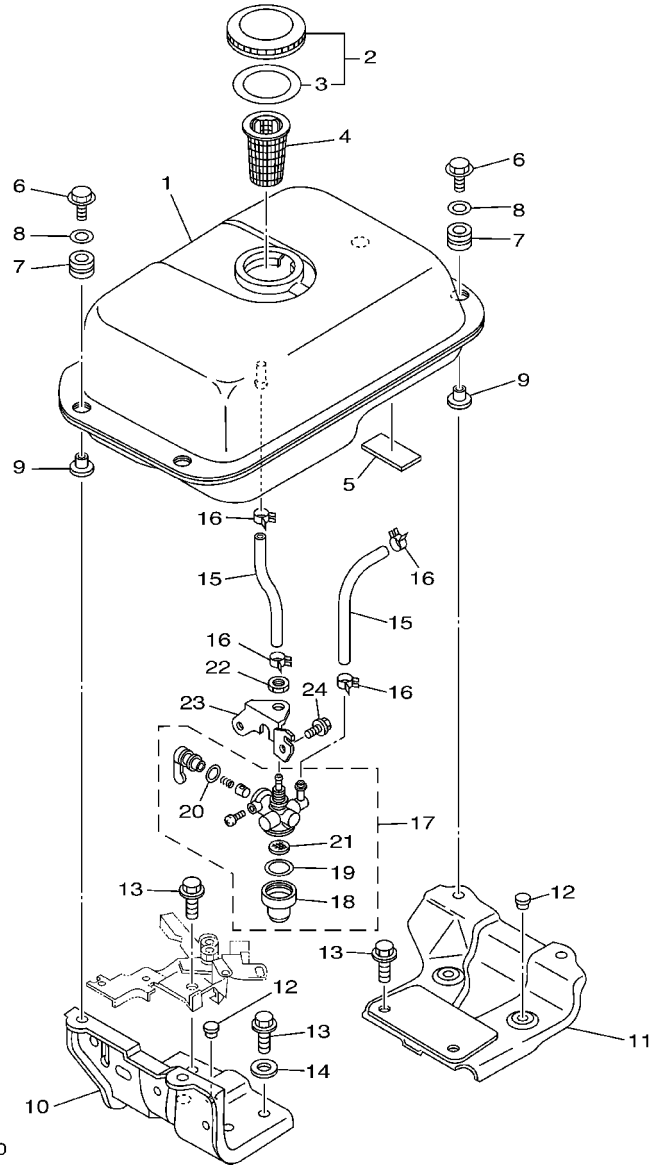
| REF. NO. | PART NO. | DESCRIPTION | 300 | 300R | 360 | 360R | REMARKS |
|----------|--------------|---------------------------|-----|------|-----|------|------------------------|
| 1 | 7WE-15111-00 | CRANKCASE 1 | | 1 | | | |
| | 7WE-15111-10 | CRANKCASE 1 | | 1 | | | EL. START MODEL FOR 3B |
| | 7WG-15111-00 | CRANKCASE 1 | | | | 1 | |
| | 7WG-15111-10 | CRANKCASE 1 | | | | 1 | EL. START MODEL FOR 3B |
| 2 | 93306-30709 | BEARING | | 1 | | 1 | |
| 3 | 93102-35191 | OIL SEAL | | 1 | | 1 | |
| 4 | 93109-08050 | OIL SEAL | | 1 | | 1 | |
| 5 | 93306-20201 | BEARING (B6202) | | 1 | | 1 | |
| 6 | 90340-12097 | PLUG, STRAIGHT SCREW | | 2 | | 2 | |
| 7 | 812-11198-00 | GASKET | | 2 | | 2 | |
| 8 | 99530-08016 | PIN, DOWEL | | 2 | | 2 | |
| 9 | 7RK-15411-10 | COVER, CRANKCASE 1 | | 1 | | 1 | |
| 10 | 93306-20714 | BEARING | | 1 | | 1 | |
| 11 | 93306-20201 | BEARING (B6202) | | 1 | | 1 | |
| 12 | 7RH-11971-00 | SHAFT, FLYWEIGHT | | 1 | | 1 | |
| 13 | 90338-06246 | PLUG | | 1 | | 1 | |
| 14 | 7RH-15451-01 | GASKET, CRANKCASE COVER 1 | | 1 | | 1 | |
| 15 | 95817-08045 | BOLT, FLANGE | | 8 | | 8 | |
| 16 | 796-15363-01 | PLUG, OIL | | 1 | | 1 | |
| 17 | 7RK-15362-00 | PLUG, OIL LEVEL | | 1 | | 1 | |
| 18 | 93210-22344 | O-RING | | 2 | | 2 | |
| 19 | 7RK-15418-00 | COVER, CHAIN CASE | | 1 | | 1 | |
| 20 | 93306-20201 | BEARING (B6202) | | 1 | | 1 | |
| 21 | 93306-20637 | BEARING | | 1 | | 1 | |
| 22 | 93102-30195 | OIL SEAL | | 1 | | 1 | |
| 23 | 7RK-15453-00 | GASKET, CHAIN CASE COVER | | 1 | | 1 | |
| 24 | 95817-08045 | BOLT, FLANGE | | 6 | | 6 | |

FIG. 18 FUEL TANK (EXCEPT FOR B1AT-VNM,C1AT-K,C1AT-VNM)



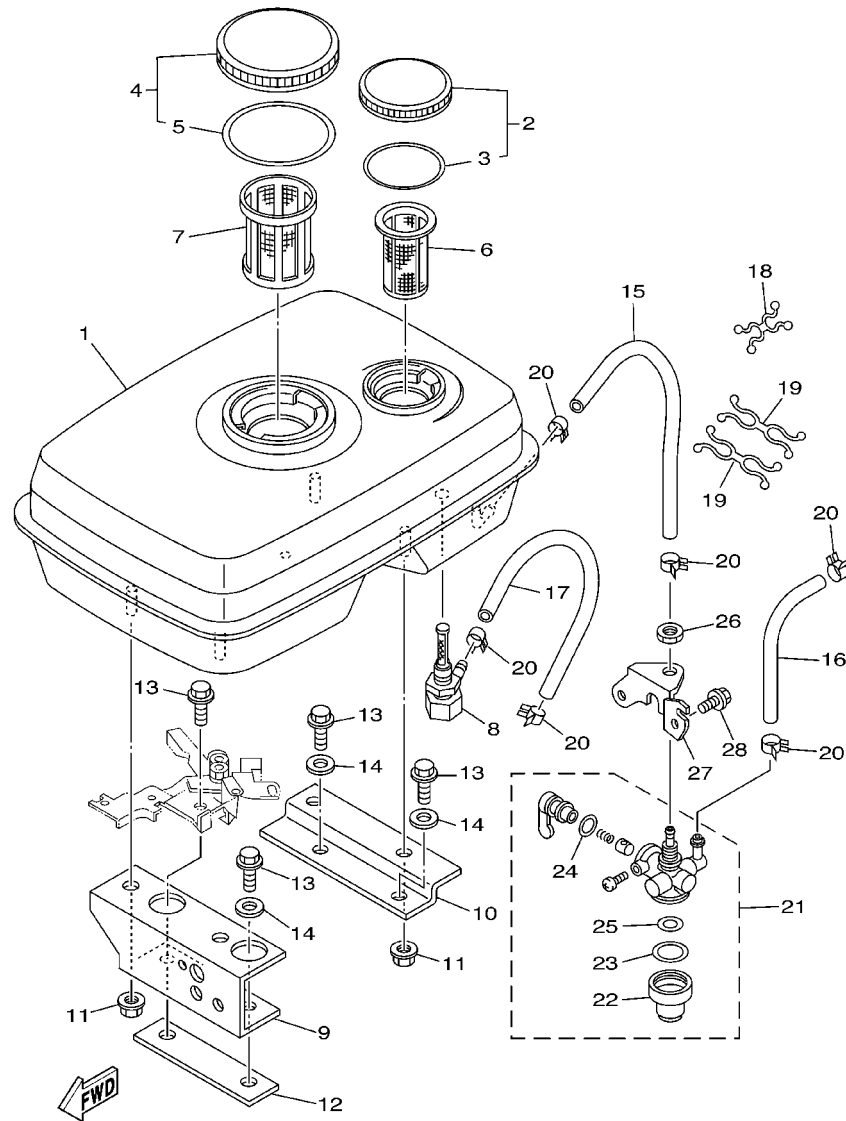
| REF. NO. | PART NO. | DESCRIPTION | 300 | 300F | 360 | 360F | REMARKS |
|----------|-----------------|--------------------|-----|------|-----|------|---------|
| | | | | | | | |
| 1 | 7RK-24110-01-NJ | FUEL TANK COMP. | 1 | 1 | 1 | 1 | FWB |
| 2 | 7T9-24610-00 | CAP ASSY | 1 | 1 | 1 | 1 | |
| 3 | 7T9-24612-00 | .GASKET, CAP | 1 | 1 | 1 | 1 | |
| 4 | 730-24167-10 | STRAINER | 1 | 1 | 1 | 1 | |
| 5 | 7RK-24181-00 | DAMPER, LOCATING 1 | 1 | 1 | 1 | 1 | |
| 6 | 95827-06020 | BOLT, FLANGE | 4 | 4 | 4 | 4 | |
| 7 | 90480-15235 | GROMMET | 4 | 4 | 4 | 4 | |
| 8 | 90201-06380 | WASHER, PLATE | 4 | 4 | 4 | 4 | |
| 9 | 90387-067K8 | COLLAR | 4 | 4 | 4 | 4 | |
| 10 | 7WT-24115-00 | STAY, FUEL TANK 1 | 1 | 1 | 1 | 1 | |
| 11 | 7RK-24116-02 | STAY, FUEL TANK | 1 | 1 | 1 | 1 | |
| 12 | 90338-05251 | PLUG | 3 | 3 | 3 | 3 | |
| 13 | 95817-08020 | BOLT, FLANGE | 4 | 4 | 4 | 4 | |
| 14 | 90201-08102 | WASHER, PLATE | 1 | 1 | 1 | 1 | |
| 15 | 90445-10456 | HOSE (L95) | 1 | 1 | 1 | 1 | |
| 16 | 90467-09037 | CLIP | 2 | 2 | 2 | 2 | |
| 17 | 7NJ-24500-01 | FUEL COCK ASSY 1 | 1 | 1 | 1 | 1 | |
| 18 | 7J3-24521-00 | .CUP, FILTER | 1 | 1 | 1 | 1 | |
| 19 | 4X8-24565-00 | .GASKET | 1 | 1 | 1 | 1 | |
| 20 | 7NJ-24534-00 | .SEAL, COCK | 1 | 1 | 1 | 1 | |
| 21 | 7NJ-24532-00 | .GASKET | 1 | 1 | 1 | 1 | |
| 22 | 7NJ-24515-01 | .NET, FILTER 2 | 1 | 1 | 1 | 1 | |

FIG. 19 FUEL TANK 2 (FOR B1AT-VNM,C1AT-VNM)



7WR1400-1190

| REF. NO. | PART NO. | DESCRIPTION | 300 | 300R | 360 | 360R | REMARKS |
|----------|-----------------|--------------------|-----|------|-----|------|---------|
| 1 | 7RK-24110-31-NJ | FUEL TANK COMP. | 1 | | 1 | | FWB |
| 2 | 7T9-24610-00 | CAP ASSY | 1 | | 1 | | |
| 3 | 7T9-24612-00 | .GASKET, CAP | 1 | | 1 | | |
| 4 | 730-24167-10 | STRAINER | 1 | | 1 | | |
| 5 | 7RK-24181-00 | DAMPER, LOCATING 1 | 1 | | 1 | | |
| 6 | 95827-06020 | BOLT, FLANGE | 4 | | 4 | | |
| 7 | 90480-15235 | GROMMET | 4 | | 4 | | |
| 8 | 90201-06380 | WASHER, PLATE | 4 | | 4 | | |
| 9 | 90387-067K8 | COLLAR | 4 | | 4 | | |
| 10 | 7WT-24115-00 | STAY, FUEL TANK 1 | 1 | | 1 | | |
| 11 | 7RK-24116-02 | STAY, FUEL TANK | 1 | | 1 | | |
| 12 | 90338-05251 | PLUG | 3 | | 3 | | |
| 13 | 95817-08020 | BOLT, FLANGE | 4 | | 4 | | |
| 14 | 90201-08102 | WASHER, PLATE | 1 | | 1 | | |
| 15 | 90445-100E9 | HOSE (L155) | 2 | | 2 | | |
| 16 | 90467-09037 | CLIP | 4 | | 4 | | |
| 17 | 7NN-24500-00 | FUEL COCK ASSY 1 | 1 | | 1 | | |
| 18 | 7NN-24521-00 | .CUP, FILTER | 1 | | 1 | | |
| 19 | 7NN-24565-00 | .GASKET | 1 | | 1 | | |
| 20 | 7NN-24534-00 | .SEAL, COCK | 1 | | 1 | | |
| 21 | 7NN-24515-00 | .NET, FILTER 2 | 1 | | 1 | | |
| 22 | 95307-10700 | NUT | 1 | | 1 | | |
| 23 | 7NN-24544-00 | BRACKET, FUEL COCK | 1 | | 1 | | |
| 24 | 95807-06008 | BOLT, FLANGE | 1 | | 1 | | |



7WR1400-1200

FIG. 20 FUEL 3 (FOR C1AT-K)

| REF. NO. | PART NO. | DESCRIPTION | 300 | 300R | 360 | 360R | REMARKS |
|----------|-----------------|--------------------|-----|------|-----|------|---------|
| 1 | 7RK-24110-20-NJ | FUEL TANK COMP. | | | 1 | | FWB |
| 2 | 7T9-24610-00 | CAP ASSY | | | 1 | | |
| 3 | 7T9-24612-00 | .GASKET, CAP | | | 1 | | |
| 4 | 74T-24610-00 | CAP ASSY | | | 1 | | |
| 5 | 796-24612-00 | .GASKET, CAP | | | 1 | | |
| 6 | 730-24167-10 | STRAINER | | | 1 | | |
| 7 | 630-24167-00 | STRAINER | | | 1 | | |
| 8 | 78G-24560-00 | FILTER ASSY | | | 1 | | |
| 9 | 7RK-24115-10 | STAY, FUEL TANK 1 | | | 1 | | |
| 10 | 7RK-24116-10 | STAY, FUEL TANK | | | 1 | | |
| 11 | 95707-08500 | NUT, FLANGE | | | 4 | | |
| 12 | 7RK-24174-S0 | SPACER 1 | | | 1 | | |
| 13 | 95817-08020 | BOLT, FLANGE | | | 4 | | |
| 14 | 90201-08102 | WASHER, PLATE | | | 3 | | |
| 15 | 90445-107E7 | HOSE (L370) | | | 1 | | |
| 16 | 90445-100E9 | HOSE (L155) | | | 1 | | |
| 17 | 90445-10752 | HOSE (L200) | | | 1 | | |
| 18 | 90464-10038 | CLAMP | | | 1 | | |
| 19 | 90464-14134 | CLAMP | | | 2 | | |
| 20 | 90467-09037 | CLIP | | | 6 | | |
| 21 | 7NN-24500-00 | FUEL COCK ASSY 1 | | | 1 | | |
| 22 | 7NN-24521-00 | .CUP, FILTER | | | 1 | | |
| 23 | 7NN-24565-00 | .GASKET | | | 1 | | |
| 24 | 7NN-24534-00 | .SEAL, COCK | | | 1 | | |
| 25 | 7NN-24515-00 | .NET, FILTER 2 | | | 1 | | |
| 26 | 95307-10700 | NUT | | | 1 | | |
| 27 | 7NN-24544-00 | BRACKET, FUEL COCK | | | 1 | | |

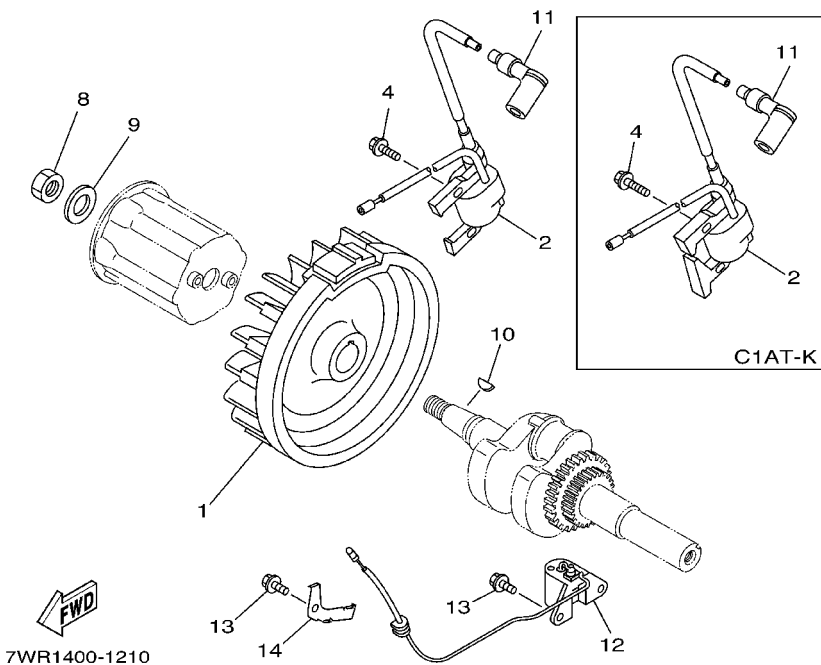
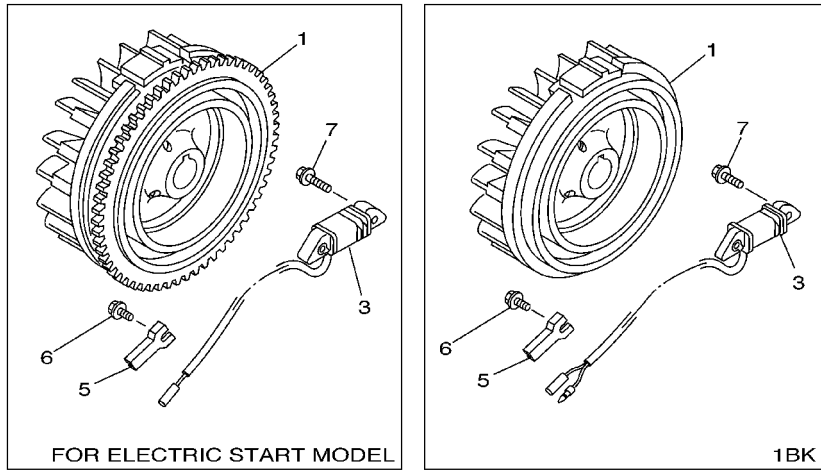
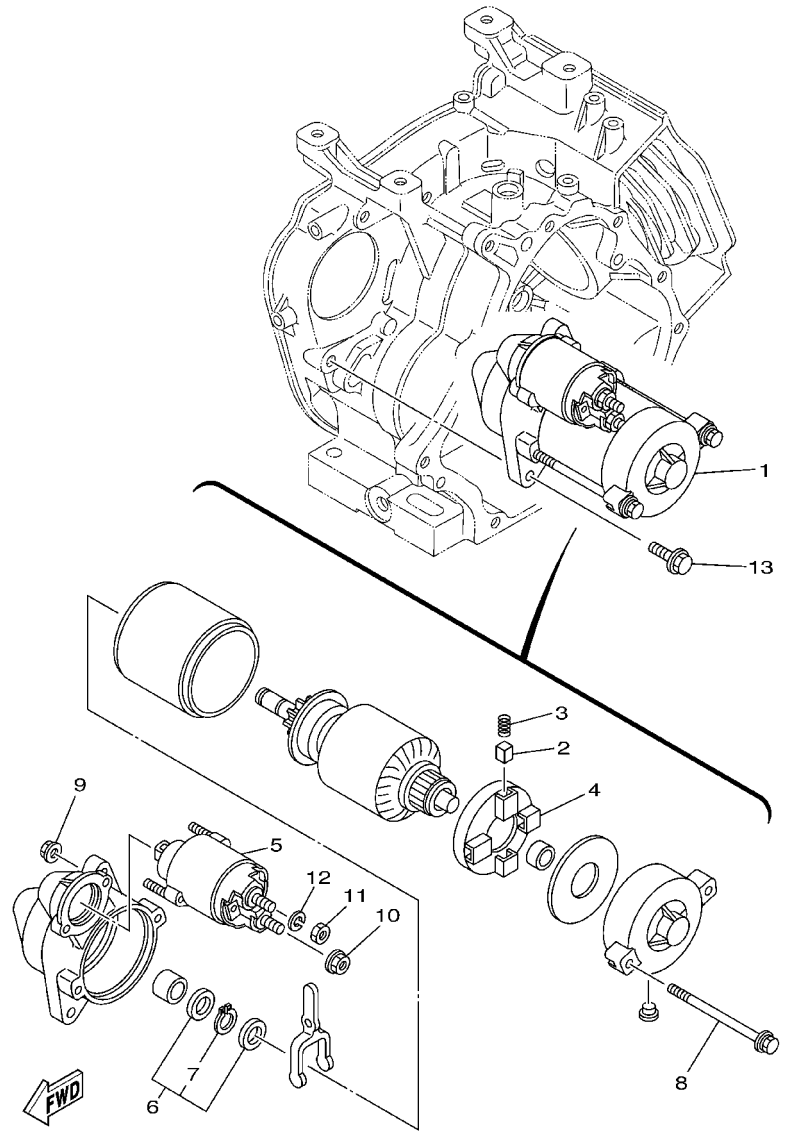


FIG. 21 MAGNETO

| REF. NO. | PART NO. | DESCRIPTION | 300 | 300R | 360 | 360R | REMARKS |
|----------|--------------|----------------------|-----|------|-----|------|---------------------------------------|
| 1 | 7WG-85650-00 | ROTOR ASSY | 1 | 1 | 1 | 1 | |
| | 7WH-85650-20 | ROTOR ASSY | 1 | | | | FOR 1BK |
| | 7WG-85650-30 | ROTOR ASSY | | | 1 | | FOR C1AT-K |
| | 7WH-85650-10 | ROTOR ASSY | 1 | 1 | 1 | 1 | FOREL. START MODEL |
| 2 | 7WG-85640-00 | T.C.I. UNIT ASSY | 1 | 1 | 1 | 1 | |
| | 7WG-85640-10 | T.C.I. UNIT ASSY | | | 1 | | FOR C1AT-K |
| 3 | 7UJ-85521-10 | COIL ASSY | 1 | 1 | 1 | 1 | FOREL. START MODEL |
| | 7WH-85521-20 | COIL ASSY | 1 | | | | FOR 1BK |
| 4 | 95880-06020 | BOLT, FLANGE | 2 | 2 | 2 | 2 | |
| | 95880-06025 | BOLT, FLANGE | | | 2 | | FOR C1AT-K |
| 5 | 90462-06232 | CLAMP | 1 | 1 | 1 | 1 | FOREL. START MODEL 1BK |
| 6 | 95807-06012 | BOLT, FLANGE | 1 | 1 | 1 | 1 | FOREL. START MODEL 1BK |
| 7 | 95807-06025 | BOLT, FLANGE | 2 | 2 | 2 | 2 | FOREL. START MODEL |
| | 95807-06020 | BOLT, FLANGE | 2 | | | | FOR 1BK |
| 8 | 90170-18391 | NUT | 1 | 1 | 1 | 1 | |
| 9 | 90201-180T9 | WASHER, PLATE | 1 | 1 | 1 | 1 | |
| 10 | 90280-04052 | KEY, WOODRUFF | 1 | 1 | 1 | 1 | |
| 11 | JN6-82370-00 | PLUG CAP ASSY | 1 | 1 | 1 | 1 | |
| | 7NN-82370-10 | PLUG CAP ASSY | 1 | | 1 | | FOR B1AT-VNM, C1AT-K,C1AT-VNM |
| 12 | 7RH-85720-02 | OIL LEVEL GAUGE ASSY | 1 | 1 | 1 | 1 | EXCEPT FOR 1,1B,1C, 1BK,B1AT-VNM,* |
| 13 | 95827-06012 | BOLT, FLANGE | 3 | 3 | 3 | 3 | EXCEPT FOR 1,1B,1C, 1BK,B1AT-VNM,* |
| 14 | 7NJ-85724-00 | CLAMP | 1 | 1 | 1 | 1 | EXCEPT FOR 1,1B,1C, 1BK,B1AT-VNM,* |
| | | | | | | | *C1AT-K,C1AT-VNM |

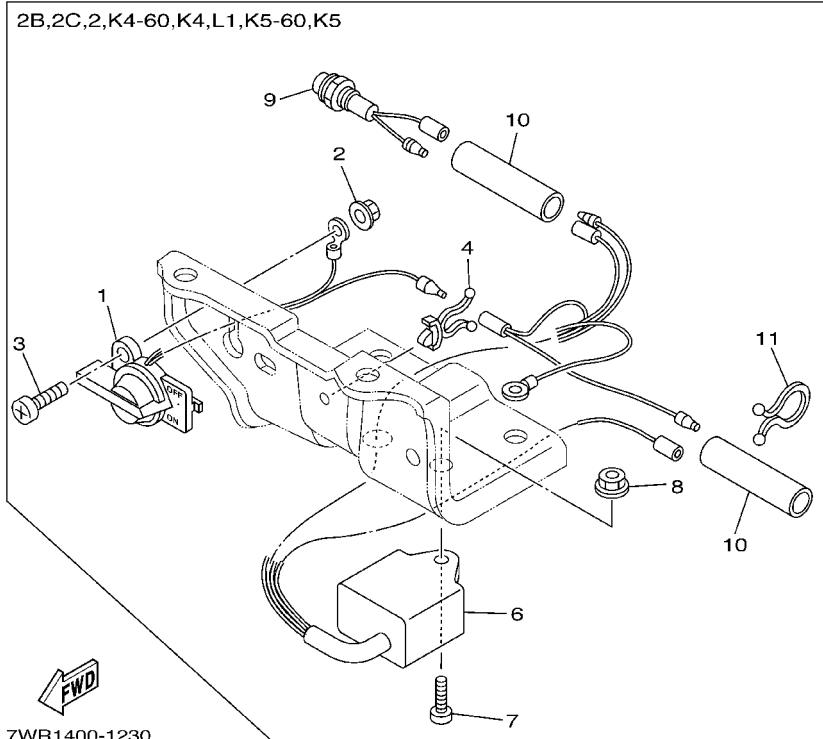
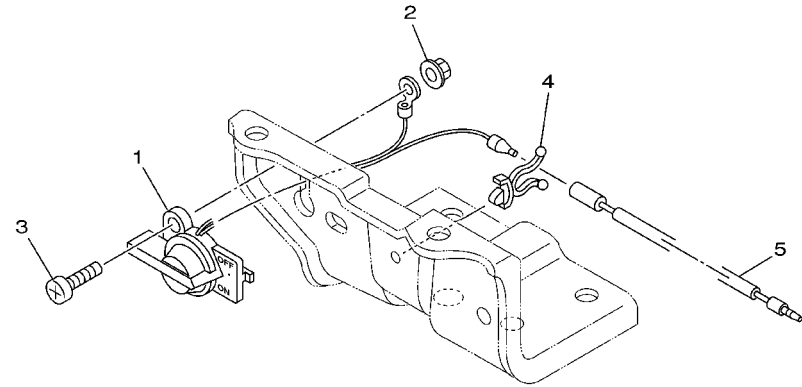
FIG. 22 STARTING MOTOR (ELECTRIC START MODEL)



7UH1110-0190

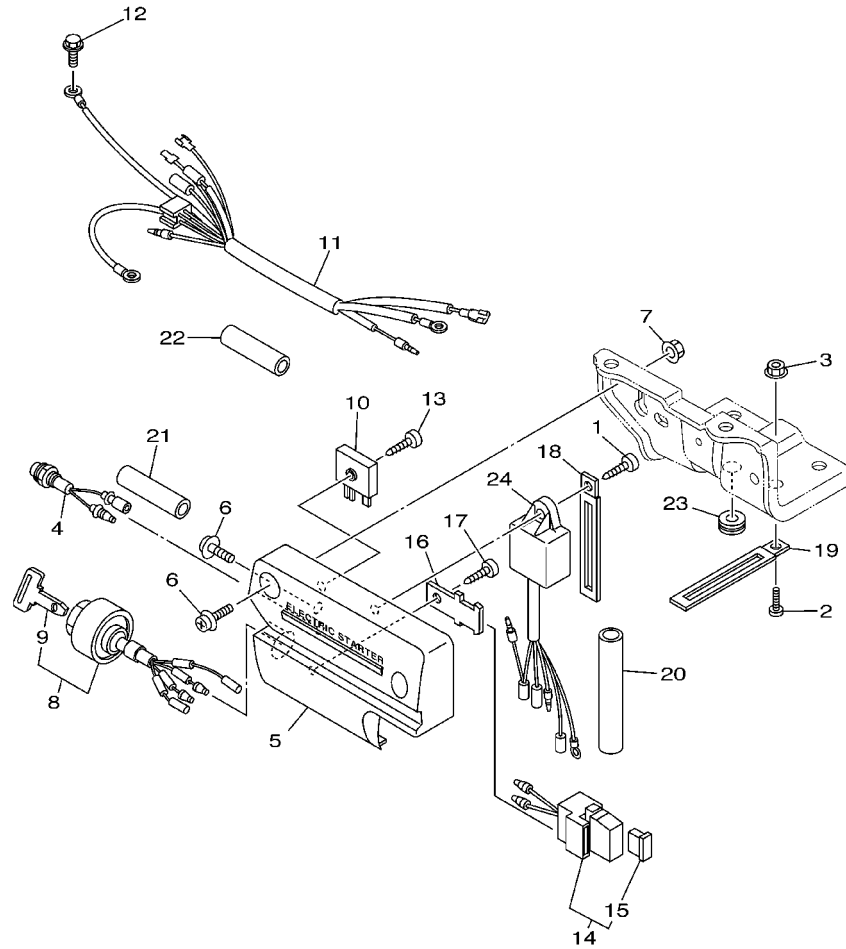
| REF. NO. | PART NO. | DESCRIPTION | | | | | REMARKS |
|----------|--------------|-----------------------|-----|------|-----|------|---------|
| | | | 300 | 300F | 360 | 360F | |
| 1 | 7UJ-81800-00 | STARTING MOTOR ASSY | 1 | 1 | 1 | 1 | |
| 2 | JE8-81812-00 | .BRUSH 2 | 4 | 4 | 4 | 4 | |
| 3 | JE8-81813-00 | .SPRING, BRUSH | 4 | 4 | 4 | 4 | |
| 4 | JE8-81840-00 | .BRUSH HOLDER ASSY | 1 | 1 | 1 | 1 | |
| 5 | JE8-81870-00 | .STARTING SWITCH ASSY | 1 | 1 | 1 | 1 | |
| 6 | 7UJ-81833-00 | .RING, STOP | 1 | 1 | 1 | 1 | |
| 7 | JE8-81834-00 | ..RING | 1 | 1 | 1 | 1 | |
| 8 | JE8-81826-00 | .BOLT | 2 | 2 | 2 | 2 | |
| 9 | 95302-06600 | .NUT | 2 | 2 | 2 | 2 | |
| 10 | 95302-08700 | .NUT | 1 | 1 | 1 | 1 | |
| 11 | 95302-08600 | .NUT | 1 | 1 | 1 | 1 | |
| 12 | 92902-08100 | .WASHER, SPRING | 1 | 1 | 1 | 1 | |
| 13 | 95807-08025 | BOLT, FLANGE | 2 | 2 | 2 | 2 | |

FIG. 23 ELECTRICAL 1 (MANUAL START MODEL)



| REF. NO. | PART NO. | DESCRIPTION | 300 | 300F | 360 | 360F | REMARKS |
|----------|--------------|-------------------------|-----|------|-----|------|---|
| 1 | 7NN-82550-00 | ENGINE STOP SWITCH ASSY | 1 | 1 | 1 | 1 | |
| 2 | 95704-06500 | NUT, FLANGE | 1 | 1 | 1 | 1 | |
| 3 | 98507-06014 | SCREW, PAN HEAD | 1 | 1 | 1 | 1 | |
| 4 | 90464-07078 | CLAMP | 1 | 1 | 1 | 1 | |
| 5 | 7RK-82507-00 | WIRE, LEAD | 1 | 1 | 1 | 1 | |
| 6 | 7WG-85690-01 | OIL WARNING UNIT | 1 | 1 | 1 | 1 | EXCEPT FOR 2B,2C,2,K4-60,K4,L1,K5-60,K5 |
| 7 | 98507-06020 | SCREW, PAN HEAD | 1 | 1 | 1 | 1 | FOR 2B,2C,2,K4-60,K4,L1,K5-60,K5 |
| 8 | 95704-06500 | NUT, FLANGE | 1 | 1 | 1 | 1 | FOR 2B,2C,2,K4-60,K4,L1,K5-60,K5 |
| 9 | 7NJ-85770-00 | OIL PILOT LIGHT ASSY | 1 | 1 | 1 | 1 | FOR 2B,2C,2,K4-60,K4,L1,K5-60,K5 |
| 10 | 7RK-82139-00 | TUBE | 2 | 2 | 2 | 2 | FOR 2B,2C,2,K4-60,K4,L1,K5-60,K5 |
| 11 | 90464-16039 | CLAMP | 1 | 1 | 1 | 1 | FOR 2B,2C,2,K4-60,K4,L1,K5-60,K5 |
| | | | | | | | |
| | | | | | | | |
| | | | | | | | |
| | | | | | | | |
| | | | | | | | |

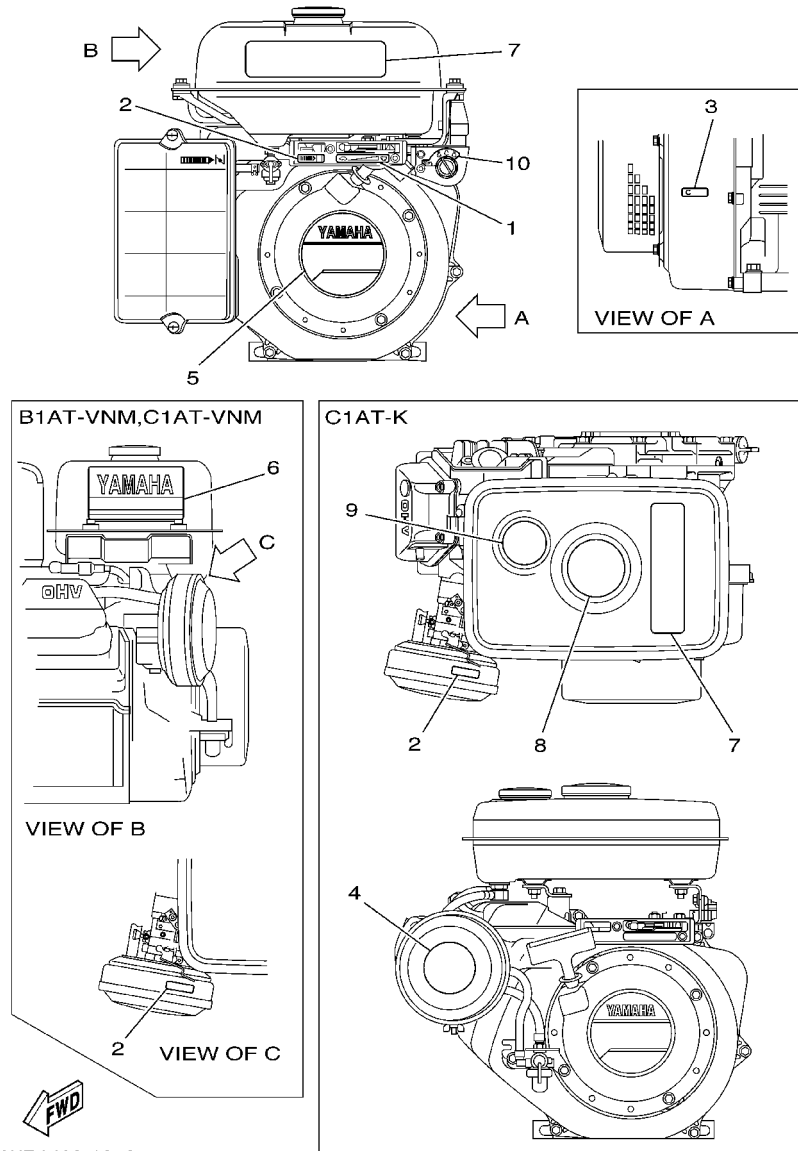
FIG. 24 ELECTRICAL 2 (EL.START MODEL)



7WR1400-1240

| REF. NO. | PART NO. | DESCRIPTION | 300 | 300R | 360 | 360R | REMARKS |
|----------|--------------|-------------------------|-----|------|-----|------|---------|
| | | | | | | | |
| 1 | 97707-60025 | SCREW, TAPPING | 1 | 1 | 1 | 1 | |
| 2 | 98507-06014 | SCREW, PAN HEAD | 1 | 1 | 1 | 1 | |
| 3 | 95704-06500 | NUT, FLANGE | 1 | 1 | 1 | 1 | |
| 4 | 7NJ-85770-00 | OIL PILOT LIGHT ASSY | 1 | 1 | 1 | 1 | |
| 5 | 7WH-82568-00 | COVER, MAIN SWITCH | 1 | 1 | 1 | 1 | |
| 6 | 98907-06012 | SCREW, BIND | 3 | 3 | 3 | 3 | |
| 7 | 95704-06500 | NUT, FLANGE | 1 | 1 | 1 | 1 | |
| 8 | 7LP-82510-00 | MAIN SWITCH ASSY | 1 | 1 | 1 | 1 | |
| 9 | 73A-82511-00 | .KEY, MAIN SWITCH | 2 | 2 | 2 | 2 | |
| 10 | 353-81970-63 | RECTIFIER ASSY | 1 | 1 | 1 | 1 | STANLEY |
| 11 | 7WH-82507-20 | WIRE, LEAD | 1 | 1 | 1 | 1 | |
| 12 | 95807-06012 | BOLT, FLANGE | 1 | 1 | 1 | 1 | |
| 13 | 97707-50120 | SCREW, TAPPING | 1 | 1 | 1 | 1 | |
| 14 | 4HF-82150-00 | FUSE HOLDER ASSY | 1 | 1 | 1 | 1 | |
| 15 | 42X-82151-00 | .FUSE (10A-BL) | 2 | 2 | 2 | 2 | |
| 16 | 7RK-82588-00 | PLATE | 1 | 1 | 1 | 1 | |
| 17 | 97707-50112 | SCREW, TAPPING | 1 | 1 | 1 | 1 | |
| 18 | 90462-05061 | CLAMP | 1 | 1 | 1 | 1 | |
| 19 | 90462-05061 | CLAMP | 1 | 1 | 1 | 1 | |
| 20 | 7RK-82589-00 | PROTECTOR, WIRE HARNESS | 1 | 1 | 1 | 1 | |
| 21 | 7RK-82589-10 | PROTECTOR, WIRE HARNESS | 1 | 1 | 1 | 1 | |
| 22 | 7RK-82139-00 | TUBE | 1 | 1 | 1 | 1 | |
| 23 | 90480-13018 | GROMMET | 1 | 1 | 1 | 1 | |
| 24 | 7WG-85690-01 | OIL WARNING UNIT | 1 | 1 | 1 | 1 | |

FIG. 25 EMBLEM. LABEL

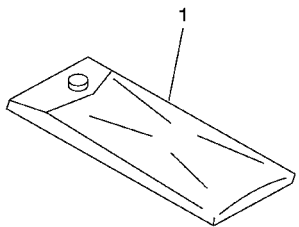


7WR1400-1250

| REF. NO. | PART NO. | DESCRIPTION | 300 | 300F | 360 | 360F | REMARKS |
|----------|--------------|--------------------------|-----|------|-----|------|------------------------|
| 1 | 7RK-24154-00 | INDICATOR, SHIFT | 1 | 1 | 1 | 1 | |
| 2 | 7RK-24155-00 | INDICATOR, CHOKE | 1 | 1 | 1 | 1 | |
| 3 | 7MJ-24237-00 | MARK(C N432) | 1 | 1 | 1 | 1 | |
| 4 | 7V0-21783-W0 | EMBLEM 3 | | | 1 | | FOR C1AT-K |
| 5 | 7RJ-12629-00 | EMBLEM (MZ300) | 1 | 1 | | | |
| | 7RJ-12629-10 | EMBLEM (MZ300) | 1 | | | | FOR B1AT-VNM |
| | 7RK-12629-00 | EMBLEM (MZ360) | | | 1 | 1 | |
| | 7RK-12629-10 | EMBLEM (MZ360K) | | | 1 | | FOR C1AT-K |
| | 7RK-12629-20 | EMBLEM (MZ360) | | | 1 | | FOR C1AT-VNM |
| 6 | 7RK-24161-00 | EMBLEM 1 (YAMAHA) | 2 | 2 | | | FOR B1AT-VNM, C1AT-VNM |
| 7 | 73T-24162-31 | EMBLEM 2 (WARNING) | 1 | 1 | 1 | 1 | |
| 8 | 7T9-24235-00 | MARK 1 (KEROSENE) | | | 1 | | FOR C1AT-K |
| 9 | 7K3-21788-00 | GRAPHIC (GASOLINE ONLY) | | | 1 | | FOR C1AT-K |
| 10 | 7RK-24156-00 | INDICATOR, STARTER LEVER | 1 | 1 | 1 | 1 | FOREL. START MODEL |
| | | | | | | | |
| | | | | | | | |
| | | | | | | | |
| | | | | | | | |

FIG. 26 BODY FITTING

| REF. NO. | PART NO. | DESCRIPTION | 300 | 300R | 360 | 360R | REMARKS |
|----------|--------------|-------------|-----|------|-----|------|---------|
| 1 | 7LV-28100-00 | TOOL KIT | 1 | 1 | 1 | 1 | |
| | | | | | | | |
| | | | | | | | |
| | | | | | | | |
| | | | | | | | |
| | | | | | | | |
| | | | | | | | |
| | | | | | | | |
| | | | | | | | |
| | | | | | | | |



7WR1400-1260

NUMERICAL INDEX

| PART NO. | REF. NO. | PART NO. | REF. NO. | PART NO. | REF. NO. | PART NO. | REF. NO. | PART NO. | REF. NO. | PART NO. | REF. NO. |
|-----------------|----------|--------------|----------|--------------|----------|--------------|----------|--------------|----------|-----------------|----------|
| 7WE-11111-00 | 1- 1 | 447-11633-00 | 4- 3 | 7RK-12629-10 | 25- 5 | 7RG-14162-00 | 13- 16 | 7X9-14239-00 | 14- 10 | 796-15363-01 | 17- 16 |
| 7WG-11111-00 | 1- 1 | 583-11633-00 | 3- 3 | 7RK-12629-20 | 25- 5 | 7RK-14162-00 | 14- 19 | 7RH-14411-01 | 8- 4 | 7RK-15411-00 | 16- 9 |
| 7RH-11166-00 | 1- 12 | | 4- 3 | 7RH-12651-01 | 7- 3 | 7T9-14167-00 | 14- 26 | 7RK-14411-00 | 10- 4 | 7RK-15411-10 | 17- 9 |
| 7RK-11166-00 | 1- 12 | JN6-11635-00 | 3- 1 | 7RH-13557-00 | 8- 2 | 7V0-14171-00 | 14- 25 | 7RK-14411-20 | 9- 4 | 7RK-15418-00 | 17- 19 |
| JN6-11168-00 | 1- 8 | | 4- 1 | | 9- 2 | 7T9-14179-00 | 14- 17 | 7RH-14412-01 | 8- 5 | 7RH-15451-01 | 16- 15 |
| 7RH-11169-00 | 1- 9 | 7RH-11635-00 | 3- 1 | | 10- 2 | 796-14184-00 | 11- 13 | 7RK-14412-00 | 10- 5 | | 17- 14 |
| 7WE-11181-00 | 1- 2 | | 4- 1 | 7RH-13567-00 | 8- 3 | | 12- 13 | 7RH-14429-00 | 8- 8 | 7RK-15453-00 | 17- 23 |
| 7WG-11181-00 | 1- 2 | 7RK-11635-00 | 3- 1 | | 9- 3 | | 13- 13 | 7RH-14451-00 | 8- 7 | 7RH-15710-00 | 7- 4 |
| 7WT-11181-00 | 1- 2 | JN6-11636-00 | 3- 1 | | 10- 3 | | 14- 11 | 7RK-14451-10 | 8- 7 | 7RJ-15710-S0 | 7- 4 |
| 7WG-11190-00 | 1- 7 | | 4- 1 | 7RH-13596-10 | 8- 1 | JN6-14185-00 | 11- 14 | 7RK-14451-20 | 9- 6 | 7RH-15711-00 | 7- 5 |
| 7RH-11191-01 | 1- 7 | 7RH-11636-00 | 3- 1 | | 9- 1 | | 12- 14 | 75G-14451-00 | 10- 7 | 7RJ-15711-S0 | 7- 5 |
| JN6-11193-00 | 1- 10 | | 4- 1 | | 10- 1 | | 13- 14 | 7RK-14461-10 | 8- 9 | 7RH-15713-00 | 7- 7 |
| 812-11198-00 | 16- 7 | 7RK-11636-00 | 3- 1 | 7RJ-14101-00 | 11- 1 | | 14- 12 | 7RK-14461-20 | 9- 7 | 7RH-15714-00 | 7- 6 |
| | 17- 7 | JN6-11650-00 | 3- 5 | 7RJ-14101-10 | 11- 1 | 22F-14186-00 | 11- 18 | 7RK-14462-10 | 8- 10 | 7RH-15715-00 | 7- 10 |
| 7RK-11355-00 | 1- 14 | | 4- 5 | 7RJ-14101-20 | 13- 1 | | 12- 18 | 7RH-14468-00 | 8- 6 | 7RH-15716-00 | 7- 9 |
| 7WE-11400-00 | 2- 1 | JN6-11654-00 | 3- 6 | 7RJ-14101-50 | 12- 1 | | 13- 18 | 7RK-14468-20 | 9- 5 | 7RH-15723-00 | 7- 16 |
| 7WE-11400-10 | 2- 1 | | 4- 6 | 7RJ-14101-60 | 13- 1 | | 14- 14 | 7RK-14472-00 | 10- 6 | 7RH-15741-00 | 7- 8 |
| 7WG-11400-00 | 2- 1 | 7RH-11913-00 | 5- 2 | 7RK-14101-00 | 11- 1 | 7E1-14191-00 | 11- 6 | 7LV-14477-00 | 8- 11 | JK4-15743-00 | 7- 11 |
| 7WG-11400-40 | 2- 1 | 7FK-11914-00 | 5- 3 | 7RK-14101-10 | 11- 1 | | 12- 6 | 7RH-14486-00 | 11- 3 | 7RH-15751-00 | 7- 13 |
| 7WG-11400-50 | 2- 1 | 7KY-11917-00 | 5- 7 | 7RK-14101-21 | 14- 1 | | 13- 6 | | 12- 3 | 7RJ-15751-S0 | 7- 13 |
| 7WR-11400-00 | 2- 1 | 7RH-11922-00 | 5- 8 | 7RK-14101-40 | 13- 1 | 7T9-14191-00 | 14- 24 | | 13- 3 | 7RH-15755-00 | 7- 14 |
| 7WR-11400-10 | 2- 1 | 7RK-11924-10 | 5- 11 | 7RK-14101-50 | 12- 1 | 127-14198-00 | 11- 15 | | 14- 3 | 7NJ-15793-00 | 7- 12 |
| 7WT-11400-10 | 2- 1 | 7RK-11925-01 | 5- 21 | 7RK-14101-60 | 13- 1 | | 12- 15 | 7KY-14613-01 | 15- 9 | 7V0-21783-W0 | 25- 4 |
| 7RK-11434-00 | 4- 8 | 7RK-11925-20 | 5- 21 | 4CW-14117-00 | 11- 11 | | 13- 15 | 7RK-14708-00 | 15- 4 | 7K3-21788-00 | 25- 9 |
| 7WG-11454-00 | 3- 7 | 7RH-11928-00 | 5- 15 | | 12- 11 | 7LV-14211-00 | 11- 4 | 7RK-14711-03 | 15- 1 | 7RK-24110-01-NJ | 18- 1 |
| | 4- 7 | 7UH-11932-00 | 5- 24 | | 13- 11 | | 12- 4 | 7LR-14786-00 | 15- 2 | 7RK-24110-20-NJ | 20- 1 |
| 7RK-11455-00 | 4- 12 | 7RK-11950-11 | 5- 17 | 73A-1414G-00 | 11- 9 | 73A-14212-00 | 11- 5 | 1WG-14922-00 | 11- 20 | 7RK-24110-31-NJ | 19- 1 |
| 7RK-11465-00 | 4- 13 | 77Y-11950-01 | 5- 22 | | 12- 9 | | 12- 5 | | 12- 20 | 7RK-24115-10 | 20- 9 |
| 7RK-11557-00 | 4- 10 | 7RH-11970-00 | 5- 1 | | 13- 9 | | 13- 5 | | 14- 20 | 7WT-24115-00 | 18- 10 |
| 7RK-11561-00 | 3- 8 | 7RH-11971-00 | 16- 13 | | 14- 7 | | 14- 4 | 7LW-14941-53 | 11- 8 | 7RK-24116-02 | 18- 11 |
| 7RH-11603-00 | 3- 2 | | 17- 12 | 620-1414J-24 | 11- 7 | 7RH-14216-00 | 11- 2 | 7RK-14941-67 | 14- 6 | | 19- 11 |
| | 4- 2 | JN6-12111-01 | 6- 2 | | 12- 7 | | 12- 2 | 7RK-14945-00 | 14- 16 | 7RK-24116-10 | 20- 10 |
| 7RH-11604-00 | 3- 2 | J38-12117-01 | 6- 6 | | 13- 7 | | 13- 2 | 7RK-1495N-6A | 12- 8 | 7RK-24154-00 | 25- 1 |
| | 4- 2 | J38-12118-00 | 6- 7 | 620-1414J-25 | 14- 5 | | 14- 2 | | 13- 8 | 7RK-24155-00 | 25- 2 |
| 7RH-11605-00 | 3- 2 | 4G0-12119-00 | 6- 13 | 620-14142-57 | 12- 7 | 78A-14227-00 | 14- 18 | 341-14952-00 | 14- 23 | 7RK-24156-00 | 25- 10 |
| | 4- 2 | 7RH-12121-00 | 6- 3 | | 13- 7 | 3G2-1423A-70 | 13- 10 | 4DG-14987-00 | 14- 22 | 7RK-24161-00 | 25- 6 |
| JN6-11610-00 | 3- 2 | JN6-12151-00 | 6- 8 | 620-14142-62 | 11- 7 | 3G2-1423A-71 | 13- 10 | 7WE-15111-00 | 16- 1 | 73T-24162-31 | 25- 7 |
| | 4- 2 | JN6-12153-00 | 6- 4 | 73A-14150-00 | 11- 21 | 3G2-1423A-72 | 11- 10 | | 17- 1 | 630-24167-00 | 20- 7 |
| JN6-11610-10 | 3- 2 | JN6-12154-00 | 6- 12 | | 12- 21 | 1HX-1423E-45 | 14- 8 | 7WE-15111-10 | 16- 1 | 730-24167-10 | 18- 4 |
| | 4- 2 | J38-12156-00 | 6- 11 | | 13- 21 | 3G2-1423E-40 | 13- 10 | | 17- 1 | | 19- 4 |
| JN6-11610-20 | 3- 2 | 22F-12159-00 | 6- 9 | | 14- 21 | 3G2-1423E-42 | 13- 10 | 7WG-15111-00 | 16- 1 | | 20- 6 |
| | 4- 2 | 7WG-12170-00 | 6- 1 | 7EG-14159-00 | 11- 19 | 3G2-14231-20 | 11- 10 | | 17- 1 | 7RK-24174-S0 | 20- 12 |
| JN6-11631-00-A0 | 3- 1 | 7WG-12621-00 | 7- 1 | | 12- 19 | | 12- 10 | 7WG-15111-10 | 16- 1 | 7RK-24181-00 | 18- 5 |
| | 4- 1 | 7WG-12621-10 | 7- 1 | | 13- 19 | 3G2-14231-21 | 12- 10 | | 17- 1 | | 19- 5 |
| 7RH-11631-00-A0 | 3- 1 | 7WG-12621-20 | 7- 1 | 7RG-14162-00 | 11- 16 | 7X9-14239-00 | 11- 12 | 7RK-15362-00 | 16- 18 | 7T9-24235-00 | 25- 8 |
| | 4- 1 | 7RJ-12629-00 | 25- 5 | | 12- 16 | | 12- 12 | | 17- 17 | 7MJ-24237-00 | 25- 3 |
| 7RK-11631-00-A0 | 3- 1 | 7RJ-12629-10 | 25- 5 | | | | 13- 12 | 796-15363-01 | 16- 17 | 7NJ-24500-01 | 18- 17 |
| 447-11633-00 | 3- 3 | 7RK-12629-00 | 25- 5 | | | | | | | | |

NUMERICAL INDEX

| PART NO. | REF. NO. | PART NO. | REF. NO. | PART NO. | REF. NO. | PART NO. | REF. NO. | PART NO. | REF. NO. | PART NO. | REF. NO. |
|--------------|----------|--------------|----------|-------------|----------|-------------|----------|-------------|----------|----------|----------|
| 7NN-24500-00 | 19 - 17 | 73A-82511-00 | 24 - 9 | 90340-12097 | 17 - 6 | 93450-21053 | 3 - 4 | 97707-40506 | 15 - 3 | | |
| | 20 - 21 | 7NN-82550-00 | 23 - 1 | 90387-067K8 | 18 - 9 | | 4 - 4 | 97707-50112 | 24 - 17 | | |
| 7NJ-24515-01 | 18 - 22 | 7WH-82568-00 | 24 - 5 | | 19 - 9 | 93501-08001 | 11 - 17 | 97707-50120 | 24 - 13 | | |
| 7NN-24515-00 | 19 - 21 | 7RK-82588-00 | 24 - 16 | 90445-100E9 | 19 - 15 | | 12 - 17 | 97707-60025 | 24 - 1 | | |
| | 20 - 25 | 7RK-82589-00 | 24 - 20 | | 20 - 16 | | 13 - 17 | 98507-04006 | 5 - 25 | | |
| 7J3-24521-00 | 18 - 18 | 7RK-82589-10 | 24 - 21 | 90445-10456 | 18 - 15 | | 14 - 13 | 98507-05010 | 7 - 18 | | |
| 7NN-24521-00 | 19 - 18 | 7UJ-85521-10 | 21 - 3 | 90445-107E7 | 20 - 15 | 94702-00331 | 1 - 6 | 98507-05012 | 5 - 23 | | |
| | 20 - 22 | 7WH-85521-20 | 21 - 3 | 90445-10752 | 20 - 17 | 95302-06600 | 22 - 9 | 98507-05025 | 5 - 18 | | |
| 7NJ-24532-00 | 18 - 21 | 7WG-85640-00 | 21 - 2 | 90462-05061 | 24 - 18 | 95302-08600 | 22 - 11 | 98507-05030 | 5 - 18 | | |
| 7NJ-24534-00 | 18 - 20 | 7WG-85640-10 | 21 - 2 | | 24 - 19 | 95302-08700 | 22 - 10 | 98507-06014 | 23 - 3 | | |
| 7NN-24534-00 | 19 - 20 | 7WG-85650-00 | 21 - 1 | 90462-06232 | 21 - 5 | 95307-08600 | 15 - 8 | | 24 - 2 | | |
| | 20 - 24 | 7WG-85650-30 | 21 - 1 | 90464-07078 | 23 - 4 | 95307-10700 | 19 - 22 | 98507-06020 | 23 - 7 | | |
| 7NN-24544-00 | 19 - 23 | 7WH-85650-10 | 21 - 1 | 90464-10038 | 20 - 18 | | 20 - 26 | 98907-06012 | 24 - 6 | | |
| | 20 - 27 | 7WH-85650-20 | 21 - 1 | 90464-14134 | 20 - 19 | 95607-08700 | 1 - 13 | 99001-04600 | 5 - 26 | | |
| 78G-24560-00 | 20 - 8 | 7WG-85690-01 | 23 - 6 | 90464-16039 | 23 - 11 | 95627-08618 | 1 - 5 | 99530-08016 | 16 - 8 | | |
| 4X8-24565-00 | 18 - 19 | | 24 - 24 | 90467-09037 | 18 - 16 | 95704-06500 | 23 - 2 | | 17 - 8 | | |
| 7NN-24565-00 | 19 - 19 | 7RH-85720-02 | 21 - 12 | | 19 - 16 | | 23 - 8 | | 17 - 25 | | |
| | 20 - 23 | 7NJ-85724-00 | 21 - 14 | | 20 - 20 | | 24 - 3 | 99530-14016 | 1 - 4 | | |
| 7T9-24610-00 | 18 - 2 | 7NJ-85770-00 | 23 - 9 | 90468-12006 | 5 - 10 | | 24 - 7 | | | | |
| | 19 - 2 | | 24 - 4 | 90480-13018 | 24 - 23 | 95707-08500 | 8 - 12 | | | | |
| | 20 - 2 | 90105-10445 | 4 - 11 | 90480-15235 | 18 - 7 | | 9 - 8 | | | | |
| 74T-24610-00 | 20 - 4 | 90116-08623 | 1 - 13 | | 19 - 7 | | 20 - 11 | | | | |
| 7T9-24612-00 | 18 - 3 | 90170-05302 | 6 - 10 | 90501-090A8 | 5 - 19 | 95807-06008 | 7 - 15 | | | | |
| | 19 - 3 | 90170-18391 | 21 - 8 | 90501-264A9 | 6 - 5 | | 19 - 24 | | | | |
| | 20 - 3 | 90173-06017 | 5 - 14 | 90506-04421 | 7 - 20 | | 20 - 28 | | | | |
| 796-24612-00 | 20 - 5 | 90175-06012 | 10 - 8 | 90506-04458 | 5 - 16 | 95807-06012 | 7 - 2 | | | | |
| 7LV-28100-00 | 26 - 1 | 90183-06036 | 5 - 20 | 90506-07412 | 5 - 27 | | 21 - 6 | | | | |
| 7RK-41240-02 | 5 - 17 | 90201-06380 | 18 - 8 | 92902-08100 | 22 - 12 | | 24 - 12 | | | | |
| 7RK-41256-00 | 7 - 19 | | 19 - 8 | 92907-06600 | 5 - 13 | 95807-06016 | 8 - 13 | | | | |
| 7RK-41266-00 | 7 - 17 | 90201-065K7 | 5 - 4 | 93102-30195 | 17 - 22 | 95807-06020 | 21 - 7 | | | | |
| 7UJ-81800-00 | 22 - 1 | 90201-06557 | 10 - 9 | 93102-35191 | 16 - 3 | 95807-06025 | 21 - 7 | | | | |
| JE8-81812-00 | 22 - 2 | 90201-067L0 | 5 - 6 | | 16 - 11 | 95807-08025 | 22 - 13 | | | | |
| JE8-81813-00 | 22 - 3 | 90201-08092 | 5 - 9 | | 17 - 3 | 95817-08020 | 18 - 13 | | | | |
| JE8-81826-00 | 22 - 8 | 90201-08102 | 18 - 14 | 93109-08050 | 16 - 4 | | 19 - 13 | | | | |
| 7UJ-81833-00 | 22 - 6 | | 19 - 14 | | 17 - 4 | | 20 - 13 | | | | |
| JE8-81834-00 | 22 - 7 | | 20 - 14 | 93210-22344 | 16 - 19 | 95817-08045 | 16 - 16 | | | | |
| JE8-81840-00 | 22 - 4 | 90201-086A3 | 15 - 7 | | 17 - 18 | | 17 - 15 | | | | |
| JE8-81870-00 | 22 - 5 | 90201-180T9 | 21 - 9 | 93306-20201 | 16 - 5 | | 17 - 24 | | | | |
| 353-81970-63 | 24 - 10 | 90280-04052 | 21 - 10 | | 16 - 12 | 95817-10070 | 1 - 3 | | | | |
| 7RK-82139-00 | 23 - 10 | 90282-06037 | 2 - 2 | | 17 - 5 | 95827-06008 | 15 - 5 | | | | |
| | 24 - 22 | 90282-07021 | 4 - 9 | | 17 - 11 | 95827-06012 | 21 - 13 | | | | |
| 4HF-82150-00 | 24 - 14 | 90282-07061 | 2 - 2 | | 17 - 20 | 95827-06020 | 18 - 6 | | | | |
| 42X-82151-00 | 24 - 15 | | 4 - 14 | 93306-20637 | 17 - 21 | | 19 - 6 | | | | |
| JN6-82370-00 | 21 - 11 | 90338-05251 | 18 - 12 | 93306-20714 | 16 - 10 | 95827-06030 | 1 - 11 | | | | |
| 7NN-82370-10 | 21 - 11 | | 19 - 12 | | 17 - 10 | 95827-08016 | 15 - 6 | | | | |
| 7RK-82507-00 | 23 - 5 | 90338-06246 | 16 - 14 | 93306-30709 | 16 - 2 | 95880-06020 | 21 - 4 | | | | |
| 7WH-82507-20 | 24 - 11 | | 17 - 13 | | 17 - 2 | 95880-06025 | 21 - 4 | | | | |
| 7LP-82510-00 | 24 - 8 | 90340-12097 | 16 - 6 | 93440-06107 | 5 - 5 | 97027-06030 | 5 - 12 | | | | |